

## HX22 SERIES

Load Trending with 0 to 5 Vdc Output



**Hawkeye™**

The Hawkeye 622-xx, 722, 822, and 922 provide accurate load trending information with a proportional 0 to 5 Vdc output signal. Slide-switches provide easy field selection of monitored amperage range without jumpers (available on some models).

### SPECIFICATIONS

Sensor Power	Induced from monitored conductor
Insulation Class	600 Vac RMS (UL), 300 Vac RMS (CE)
Frequency Range	50/60 Hz nominal
Temperature Range	-15 to 60 °C (5 to 140 °F)
Humidity Range	10 to 90% RH non-condensing
Accuracy	±2% F.S. from 10% to 100% (range)
Response Time	2 sec.
Terminal Block Wire Size	24 to 14 AWG (0.2 to 2.1 mm <sup>2</sup> )
Terminal Block Torque	3.5 to 4.4 in-lbs (0.4 to 0.5 N-m)

### WARRANTY

Limited Warranty	5 years
------------------	---------

### AGENCY APPROVALS

Agency Approvals	UL 508 open device listing; CE: EN61010-1, CAT III, Pollution Degree 2, basic insulation
------------------	------------------------------------------------------------------------------------------



### Self-powered analog

Self-powered analog current sensor simplifies installation

### No external power required

No external power required for sensor

### Retrofit

Self-gripping, split-core design for fast retrofit installation...no need to remove conductor (H622-xx, H922)

### New construction

Economical solid-core models feature adjustable bracket for easy alignment (H722xC)

### Factory calibrated

Factory calibrated ranges for increased flexibility and resolution

### No jumpers

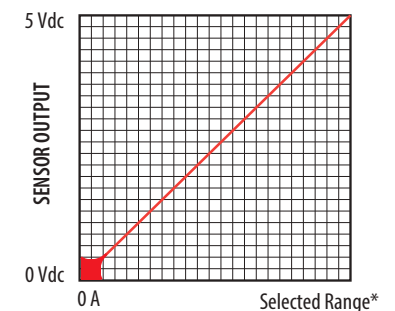
No jumpers on unit...reduces installation error

### APPLICATIONS

- Load trending
- Motor control
- Positive proof of flow

### EXAMPLE LINEAR OUTPUT

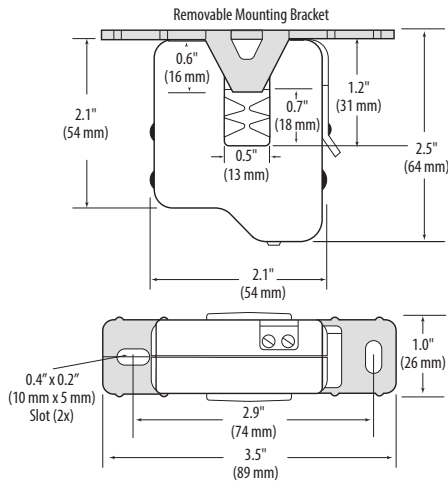
Scale software as shown



\*Factory calibrated ranges selected with the amperage range switch

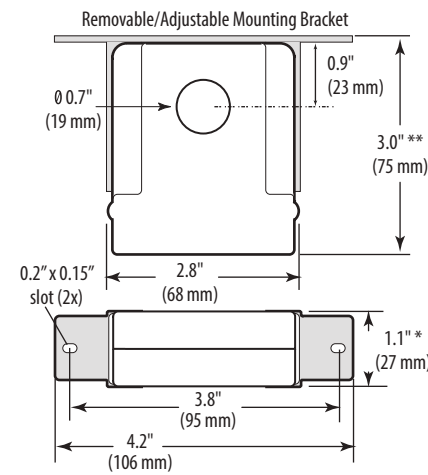
**H622-XX**

Dimensional Drawing



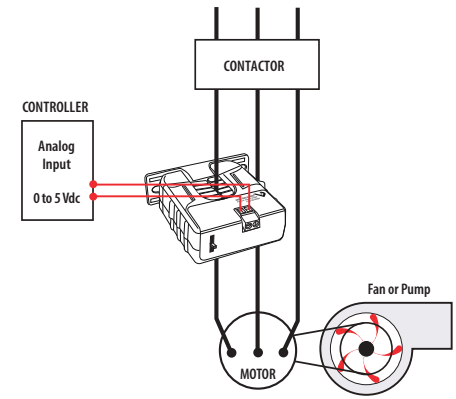
**H722LC/H722HC**

Dimensional Drawing



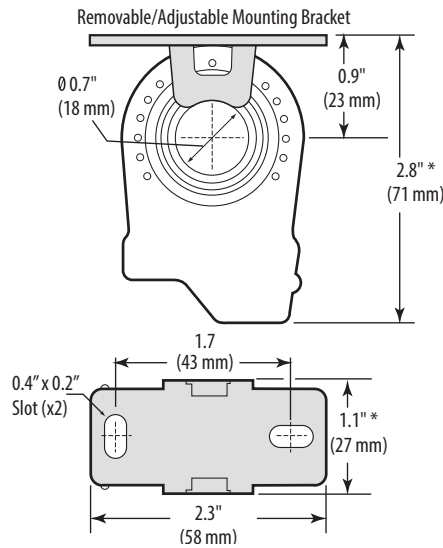
**MONITORING FAN /PUMP MOTORS FOR POSITIVE PROOF OF FLOW**

Wiring Diagram



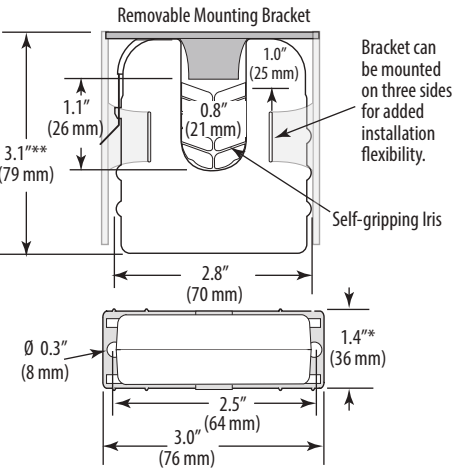
**H822/H822-20**

Dimensional Drawing



**H922**

Dimensional Drawing



\* Terminal block may extend up to 1/8" over the height dimensions shown.  
 \*\* Slide switch may extend up to 1/4" over the height dimensions shown.

**ORDERING INFORMATION**

MODEL	AMPERAGE RANGE	SENSOR OUTPUT	HOUSING	UL	CE	LEAD FREE
H622-10	0 to 10 A	0 to 5 Vdc	Split-core	•	•	
H622-20	0 to 20 A		Split-core	•	•	
H722LC	0 to 10/20/40 A		Solid-core	•	•	
H722HC	0 to 50/100/200 A		Solid-core	•	•	
H822	0 to 10 A		Solid-core	•		•
H822-20	0 to 20 A		Solid-core	•		•
H922	0 to 30/60/120 A		Split-core	• <sup>1</sup>	•	
H922030A	0 to 30 A		Split-core		•	
H922060A	0 to 60 A		Split-core		•	
H922120A	0 to 120 A		Split-core		•	

1. Listed for use on 75°C insulated conductors.