



Features

- Universal transmitter for Vaisala Indigo compatible probes
- Touchscreen display (optional non-display model with LED indicator also available)
- IP66 and NEMA 4 rated metal enclosure
- 2 configurable galvanically isolated analog outputs
- Ethernet connection with web interface for remote access
- Modbus[®] TCP/IP protocol
- Protective extra-low voltage powering

Vaisala Indigo510 transmitter is an industrial-grade, robust transmitter that accommodates 1 Vaisala Indigo compatible probe for humidity, temperature, dew point, carbon dioxide, hydrogen peroxide, and moisture in oil measurements. The transmitter can display measurements on the spot as well as transmit them to automation systems through analog signals or Modbus TCP/IP protocol.

Variety of probe options

Indigo510 transmitters can be used with Indigo compatible probes.

- Humidity and temperature probes: HMP1, HMP3, HMP4, HMP5, HMP7, HMP8, HMP9, TMP1
- Dew point probes: DMP5, DMP6, DMP7, DMP8
- CO₂ probes: GMP251, GMP252
- Vaporized hydrogen peroxide probes: HPP271, HPP272
- MMP8 moisture in oil probe

The probes are interchangeable, self-contained measurement instruments that are easily detachable from the transmitter for calibration and maintenance. The probes are connected using a cable that can be extended with a standard instrumentation cable to allow up to 30 m (98 ft) distance between the transmitter and the probe.

The Indigo510 transmitter can also be connected to the MHT410 transmitter for display of measurement data and automation system connectivity.

For more information on the Indigo product family, see www.vaisala.com/indigo.

Analog and digital interfaces

The Indigo510 transmitter has 2 analog channels that can be configured to mA or voltage type. Any of the output parameters from the connected probe can be assigned to control the analog channels.

The digital output protocol is Modbus TCP/IP over Ethernet

Besides Modbus TCP/IP, the transmitter's Ethernet connection provides a web interface and cybersecurity that meets modern standards.

Robust design

The transmitter has a wide operating temperature range, an IP66-rated corrosion-resistant metal enclosure and an optional touchscreen display made of strengthened (IK08) glass. The transmitter withstands commonly used cleaning chemicals, such as isopropanol and liquid H₂O₂ (30 %), and performs even in the harshest conditions.

The standard mounting options include mounting on a wall and on a DIN rail. With an adapter plate, the transmitter can be installed to replace an HMT330, DMT340, and MMT330 series transmitter. A pole mounting kit is also available as an accessory.

Technical data

Indigo compatible probes

Measurement type	Probe models
Humidity and temperature	HMP1, HMP3, HMP4, HMP5, HMP7, HMP8, HMP9
Temperature	TMP1
Dew point	DMP5, DMP6, DMP7, DMP8
CO ₂	GMP251, GMP252
Vaporized hydrogen peroxide	HPP271, HPP272
Moisture in oil	MMP8

Other compatible devices

Device or series	Models
MHT410 Moisture, Hydrogen and Temperature Transmitter	MHT410

Inputs and outputs

Operating power	
Protective extra-low voltage (PELV)	11 ... 35 V DC, 24 V AC ±15 % 50/60 Hz, max. current 2 A
PELV power cable temp. rating	≥ +80 °C (+176 °F)
Analog outputs	
Number of analog outputs	2, galvanically isolated from power supply
Selectable voltage output types	0 ... 1 V, 0 ... 5 V, 0 ... 10 V, scalable
Selectable current output types	4 ... 20 mA, 0 ... 20 mA, scalable
Max. wire size	2.5 mm ² (14 AWG)
Accuracy of analog outputs at +20 °C (+68 °F)	±0.05 % full scale
Temperature dependence	±0.005 % / °C full scale
External loads:	
Current outputs	R _L < 500 Ω
0 ... 1 V output	R _L > 2 kΩ
0 ... 5 V and 0 ... 10 V outputs	R _L > 10 kΩ
Ethernet interface	
Supported standards	10BASE-T, 100BASE-TX
Connector	8P8C (RJ45)
Supported protocols	Modbus TCP/IP (port 502), HTTPS (port 8443)

Operating environment

Operating temperature	With display -20 ... +60 °C (-4 ... +140 °F) Without display -40 ... +60 °C (-40 ... +140 °F)
Storage temperature	With display -30 ... +60 °C (-22 ... +158 °F) Without display -40 ... +60 °C (-40 ... +140 °F)
For use in wet locations	Yes
Operating humidity	0 ... 100 %RH
Maximum operating altitude	3000 m (9843 ft)
IP rating	IP66

Mechanical specifications

NEMA rating	NEMA 4
Housing classification	IK08, DIN EN ISO 11997-1: Cycle B (VDA 621-415)
Housing material	AlSi10Mg (DIN 1725)
Display window material	Strengthened glass (IK08)
Weight	1.5 kg (3.3 lb)
Dimensions (H × W × D)	142 × 182 × 67 mm (5.63 × 7.17 × 2.64 in)

Cable diameters for cable glands

M20×1.5 glands	5.0 ... 8.0 mm (0.20 ... 0.31 in)
M20×1.5 glands with split bushing	7 mm (0.28 in)
M16×1.5 glands	2.0 ... 6.0 mm (0.08 ... 0.24 in)

Compliance

EU directives	EMC Directive (2014/30/EU) RoHS Directive (2011/65/EU) amended by 2015/863
EMC compatibility	IEC/EN 61326-1, industrial environment CISPR 32 / EN 55032, Class B
Electrical safety	IEC/EN 61010-1
Compliance marks	CE, China RoHS, FCC, RCM, UKCA
Listing marks	Canada (SGS), US (SGS)
FCC compliance	FCC Part 15, Class B

Spare parts

Cable gland, M20×1.5, 5.0 ... 8.0 mm (0.20 ... 0.31 in)	ASM213670SP
Cable gland with split bushing, M20×1.5 ¹⁾	262632SP
Cable gland, M16×1.5, 2.0 ... 6.0 mm (0.08 ... 0.24 in)	ASM213671SP
Conduit fitting, M20×1.5 for NPT1/2" conduit	214780SP

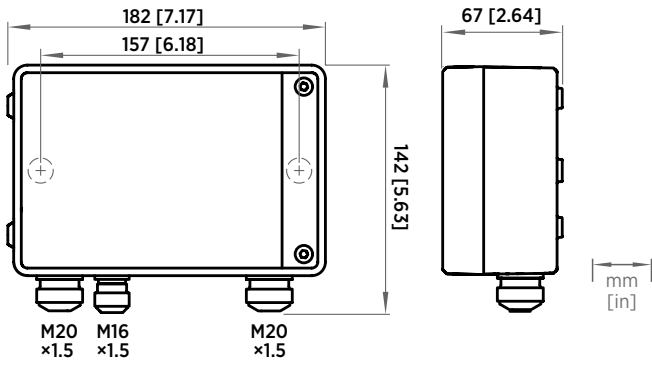
¹⁾ With 7-mm (0.28 in) hole for cable and 14-mm (0.55 in) hole for 8P8C (RJ45) connector to pass through.

Accessories

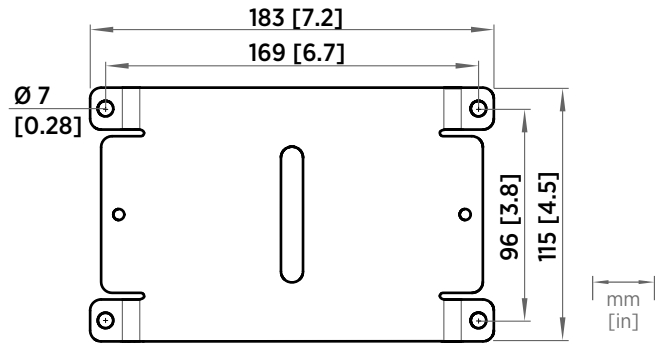
Adapter plate	DRW252186SP
Installation kit for pole or pipeline	215108
Installation kit with weather shield	215109

Probe connection cables

Probe connection cable, 1 m	CBL210896-1MSP
Probe connection cable, 3 m	CBL210896-3MSP
Probe connection cable, 5 m	CBL210896-5MSP
Probe connection cable, 10 m	CBL210896-10MSP



Indigo510 dimensions and lead-through sizes



Indigo500 adapter plate dimensions