



Ultrasonic Humidifier

ecoSTAR Ultrasonic Humidifier

Humidifying Capacity: 3 kg/hr ~ 9 kg/hr

Ultrasonic Humidifier help to constantly keep the treated room moisturize with high efficiency ultrasonic system. This would help to increase the humidity level, thus providing the extra moisture that require for the store goods or applications that constantly require to maintain at humidity level of 60%RH and above.

Key Features:

- The body material is made of cold-rolled sheet metal with epoxy powder coating paint
- LCD Screen Display
- Micro-Computer Controlling
- Floor Standing; Compact Design
- High Efficiency Humidifier
- Steam Size Droplets, 1-10 μm
- Maximum RH reaches 99%
- High Atomization Efficiency
- Low Noise
- Direct Water Inlet

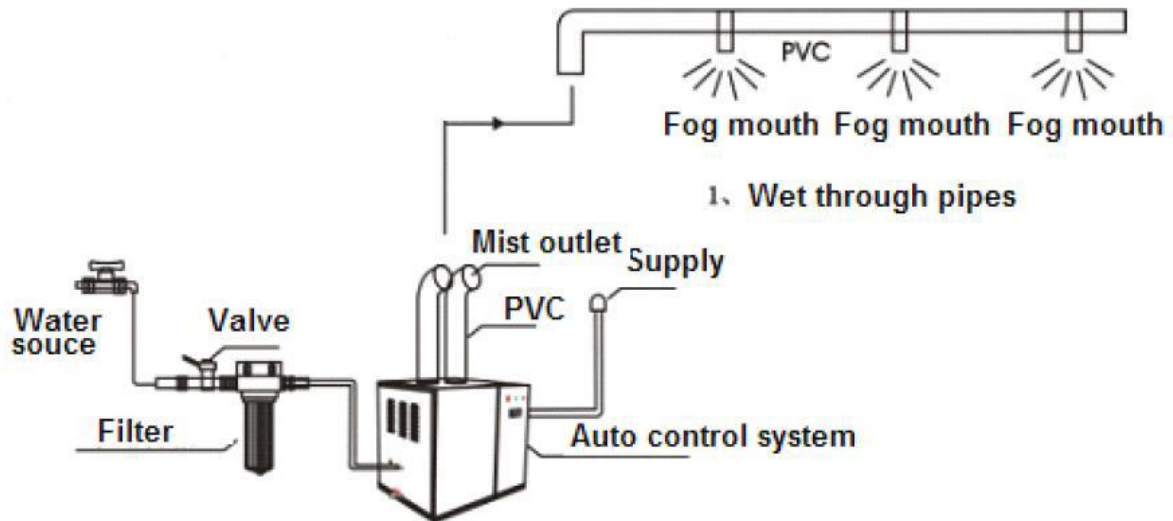


Technical Specification

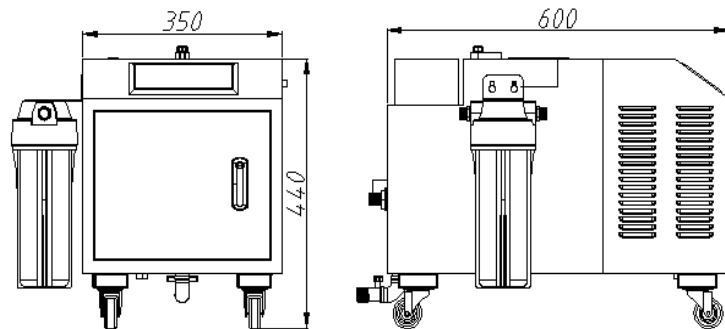
Model	ECOFD-C03ZT	ECOFD-C06ZT	ECOFD-C09ZT
Type	Ultrasonic Humidifier		
Humidifying Capacity	3 kg/hr	6 kg/hr	9 kg/hr
Fog Particles	$\leq 10\mu\text{m}$	$\leq 10\mu\text{m}$	$\leq 10\mu\text{m}$
Air Volume	85 cfm	85 cfm	380 cfm
Machine Build Material	Metal coated with paint		
Rated Input Power	300W	600 W	900 W
Rated Current	1.36A	2.73 A	4.1A
Water Tank Capacity	18L	18L	25L
Humidifying Control Range	20% - 95%	20% - 95%	20% - 95%
Power Supply	230V / 50Hz	230V / 50Hz	230V / 50Hz
Vent Outlet Size (Diameter)	110mm x 1 outlet	110mm x 1 outlet	110mm x 1 outlet
Dimension W x D x H mm	600 x 350 x 440	600 x 350 x 440	630 x 460 x 540
Weight	20 kg	20.5 kg	31.5 kg

ecostar Ultrasonic Humidifier

Recommended Installation Layout



Dimension for ECOFD-C03ZT - ECOFD-C06ZT



Dimension for ECOFD-C09ZT

