



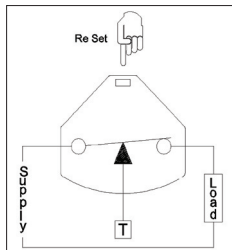
## VKL 2000 Series Rod Thermostats



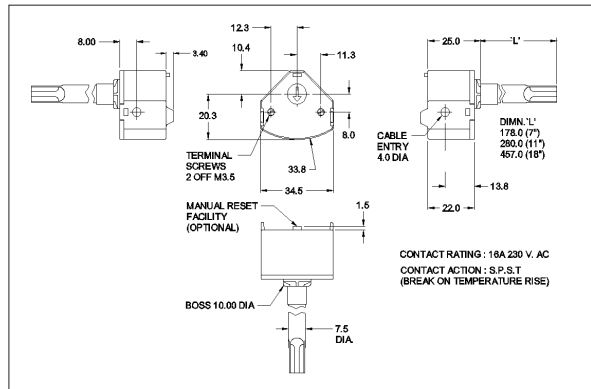
The VKL 2000 series of rod thermostats has been designed with a small head making it suitable for all purposes including dual heater applications.

### VKL 2000

- **16A rating** – suits most domestic applications
- **Simple 2-wire connection** – easy to install
- **Manual reset options** – resets only by a positive action
- **3-standards lengths** - suits most domestic cylinders



VKL 2000 wiring detail



VKL 2000 dimensional details

Model	Part Number	Stem Length	Range (°C)	Differential (°C)	Voltage	Current Rating (Amps)
VKL 2201	101-2201	7" / 178mm	40 – 80	10	230 V ac	16
VKL 2251	101-2251	7" / 178mm	45 – 85	Manual Reset	230 V ac	16
VKL 2301	101-2301	11" / 280mm	50 – 80	6	230 V ac	16
VKL 2303	101-2303	11" / 280mm	25 – 65	6	230 V ac	16
VKL 2351	101-2351	11" / 280mm	35 – 85	Manual Reset	230 V ac	16
VKL 2401	101-2401	18" / 457mm	50 - 80	5	230 V ac	16