



## TLX 9000 & TLX 4000 Series Electromechanical Room Thermostats



TLX 9000 - Control



TLX 9000 - Tamper



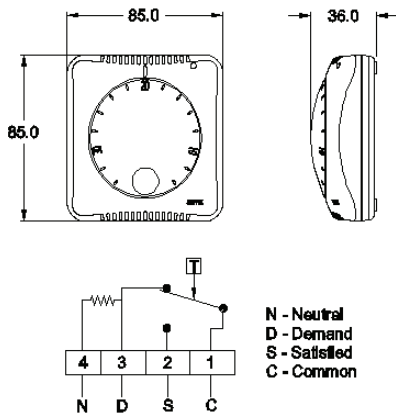
TLX 4000

- **Highly reliable** – fix and forget
- **Tamperproof options** – ideal for public areas
- **Frost protection options** – protects unoccupied buildings
- **Changeover contacts options** – controls heating & cooling with 1 unit
- **High contact rating option** – up to 20A
- **Weather proof option** – protects thermostat if used outdoors
- **Guard pack option** – protects against physical damage

“Our engineers are currently using the SunPro1000 programmer together with a TLX 4101 room thermostat from Sunvic on a large council refurbishment project and have been impressed with how easy they have been to install and setup.”

	TLX 9201	TLX 9201S	TLX 9301	TLX 9401	TLX 9701	TLX 4101
Part Number	225-9201	225-9201S	225-9301	225-9401	225-9701	222-4101
Current Rating (amps)	10(4)	10(4)	16(7)	10(4)	10(4)	4(1)
Temperature Range (°C)	5 – 30	5 – 30	5 – 30	-5 - 15	5 – 30	8 - 30
Adjustable Range Stops						
Tamperproof						
Changeover Contacts						
LED Status Indicator						
Operating voltages	230Vac ±10%	230Vac ±10%	230Vac ±10%	230Vac ±10%	230Vac ±10%	Volt-free
Accelerator Heater						
Heating Applications						
Heating & Cooling Applications						
Differential	<1°C					
Protection rating	IP 30					
Working Temperature	0°C - 40°C					
Storage Temperature	-10°C - 50°C					
Humidity Limits	20% - 80% rH					
Case Material	ABS V0					
Pack Dimensions (mm)	92x92x50	92x92x50	92x92x50	92x92x50	92x92x50	92x92x50
Pack Weight (g)	210	210	210	210	210	140

#### TLX 9000 series



#### TLX 4000 series

