

AC SOLID STATE RELAY

K3P40C25AA K3P40C75AA
K3P40C40AA K3P40C90AA
K3P40C50AA K3P40C100AA

(HEATER LOAD ONLY)
3PHASE SERIES

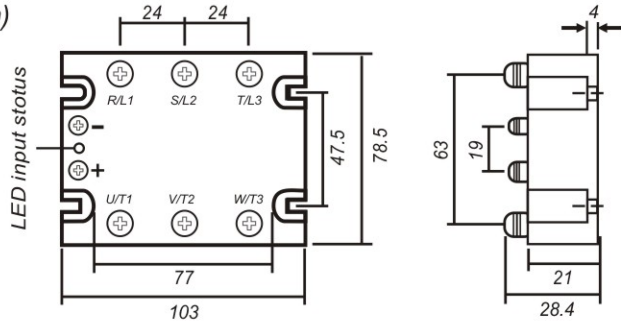


SPECIFICATIONS

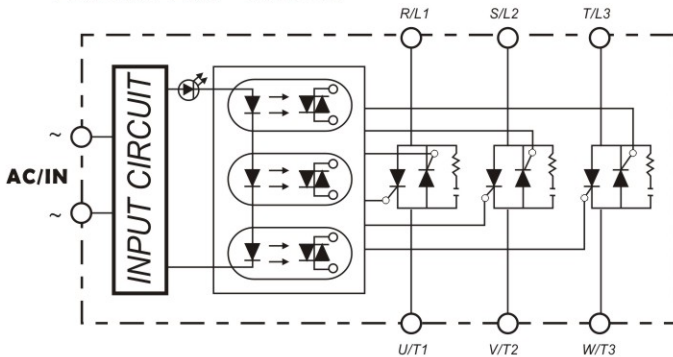
MODEL NO.	CONTROL VOLTAGE RANGE	MUST TURN OFF VOLTAGE	INPUT IMPEDANCE	MAX LOAD CURRENT	LOAD VOLTAGE RANGE	MIN BLOCKING VOLTAGE	MAX OFF-STATE LEAKAGE	FREQUENCY RANGE	MAX 1-CYCLE PEAK SURGE
K3P40C25AA	80~280VAC	MAX 9.5 VDC	1.5Kohm	2.5 A	48-480VAC	1200VAC	LESS 10 mA	47-63HZ	31.5 A
K3P40C40AA	80~280VAC	MAX 9.5 VDC	1.5Kohm	4.0 A	48-480VAC	1200VAC	LESS 10 mA	47-63HZ	45.0 A
K3P40C50AA	80~280VAC	MAX 9.5 VDC	1.5Kohm	5.0 A	48-480VAC	1200VAC	LESS 10 mA	47-63HZ	56.0 A
K3P40C75AA	80~280VAC	MAX 9.5 VDC	1.5Kohm	7.5 A	48-480VAC	1200VAC	LESS 10 mA	47-63HZ	75.0 A
K3P40C90AA	80~280VAC	MAX 9.5 VDC	1.5Kohm	9.0 A	48-480VAC	1200VAC	LESS 10 mA	47-63HZ	90.0 A
K3P40C100AA	80~280VAC	MAX 9.5 VDC	1.5Kohm	100A	48-480VAC	1200VAC	LESS 10 mA	47-63HZ	1030A

MODEL NO.	MAX OFF STATE dv/dt	MAX ON-STATE VOLTAGE DROP	ISOLATE IMPEDENCE	DIELECTRIC STRENGTH INPUT-OUTPUT	DIELECTRIC STRENGTH INPUT-OUTPUT-CASE	TURN ON TIME	TURN OFF TIME	CAPACITANCE IN-OUT	WEIGHT (g)
K3P40C25AA	500V/ μ SEC	1.6Vrms	10^9 ohm	2500Vrms	2500Vrms	LESS1/2mSec	LESS1/2cycle	LESS473pf	600 g
K3P40C40AA	500V/ μ SEC	1.6Vrms	10^9 ohm	2500Vrms	2500Vrms	LESS1/2mSec	LESS1/2cycle	LESS473pf	600 g
K3P40C50AA	500V/ μ SEC	1.6Vrms	10^9 ohm	2500Vrms	2500Vrms	LESS1/2mSec	LESS1/2cycle	LESS473pf	600 g
K3P40C75AA	500V/ μ SEC	1.6Vrms	10^9 ohm	2500Vrms	2500Vrms	LESS1/2mSec	LESS1/2cycle	LESS473pf	600 g
K3P40C90AA	500V/ μ SEC	1.6Vrms	10^9 ohm	2500Vrms	2500Vrms	LESS1/2mSec	LESS1/2cycle	LESS473pf	600 g
K3P40C100AA	500V/ μ SEC	1.6Vrms	10^9 ohm	2500Vrms	2500Vrms	LESS1/2mSec	LESS1/2cycle	LESS473pf	600 g

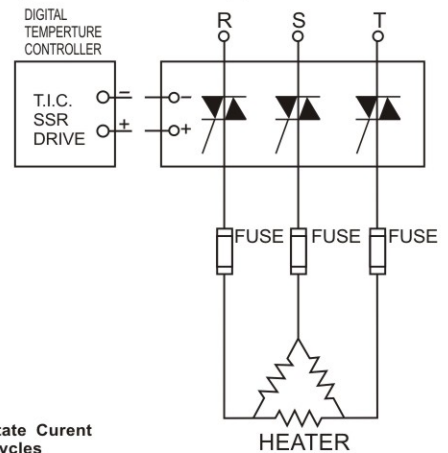
OUTLINE DIMENSIONS (unit:mm)



EQUIVALENT CIRCUIT



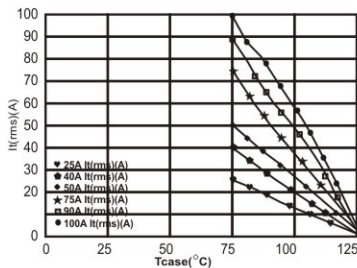
Example of 3 Φ SSR Application



CHARACTERISTIC CURVES

Characteristics curve

RMS On-state Current Versus Case Temperature



Non Repetitive Surge On-state Current Versus Number Of Cycles

