

Heavy Duty pressure gauges with Bourdon tube

Nominal sizes ND 100

Connection position bottom, radial or back, eccentric



Description

Pressure gauges of the comprehensive Heavy Duty range are manufactured on the basis of the modular construction system which brings advantages of quality and price. The gauges can be used in all applications where particular importance is attached to measuring accuracy, reproducibility and long-term stability. They can be used with liquid or gaseous media.

A wide range of options enables the user to adapt the gauges to its own special requirements.

All Heavy Duty pressure gauges comply with general international recommendations for measuring systems and take requirements for specific applications and technical standards into consideration.

The device can be calibrated.

Special features

- o Reliability and long-term stability due to modular construction system
- o Accuracy class 1.0
- o Copper alloy measuring system
- o Overload capacity 1.3 x

Measuring ranges



0 ... 0.6 bar to 0 ... 400 bar

Applications

Mechanical engineering
and apparatus construction;
laboratory and test engineering.

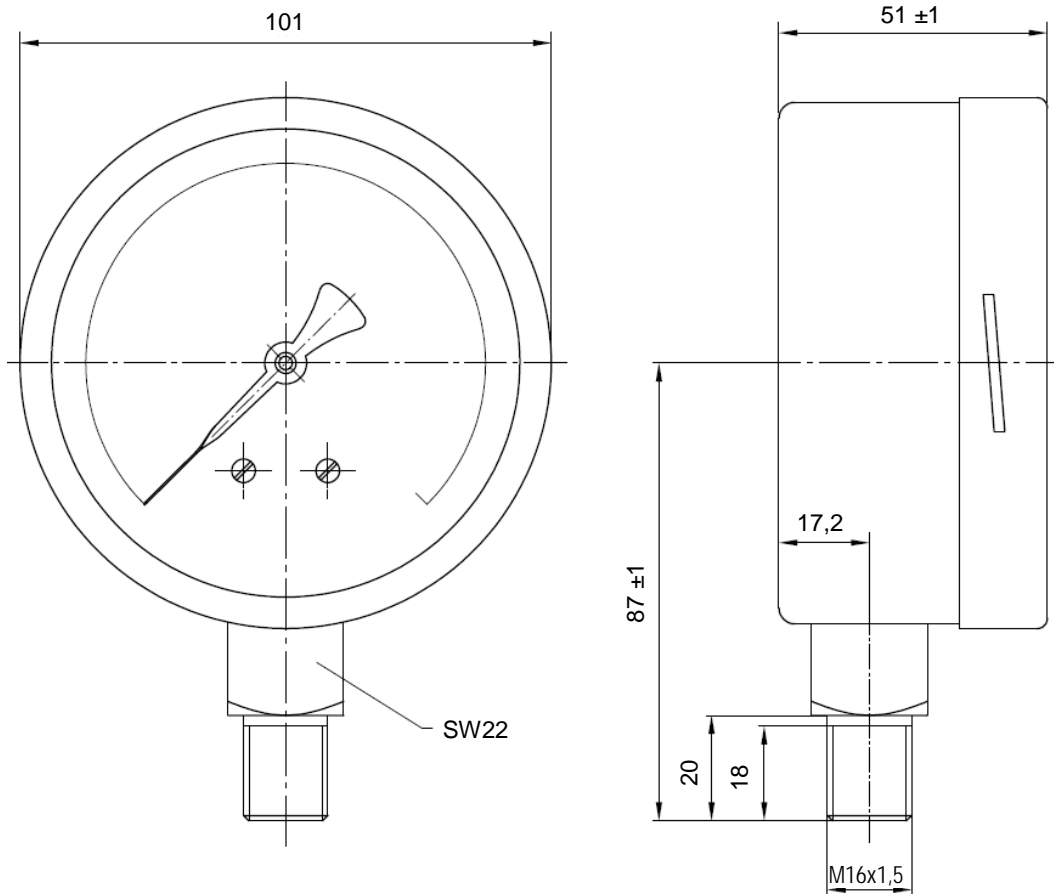
Models: P1525, P1526

Technical data

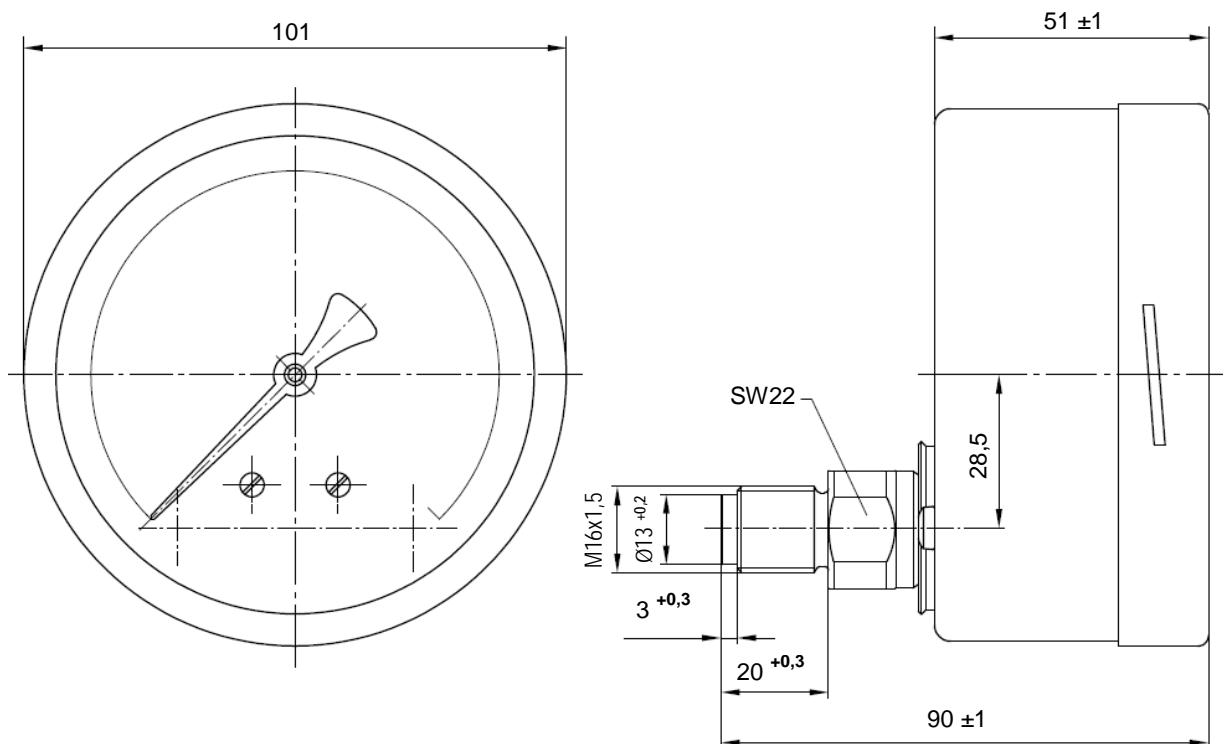
Model	P1525	P1526	Options
Nominal size	100		
Symbol			
Accuracy class	1.0 to EN 837-1		
Ranges	0...0.6 bar to 0...400 bar negative or positive or negative and positive gauge pressure		
Application	Constant load: up to full scale value Alternating load: up to 0.9 x full scale value short-time: overload capacity 1.3 x		1.5 to 2 x
Case	Stainless steel		Steel, galvanized
Bezel	Stainless steel		Steel, galvanized and black
Mounting	direct		Front flange, ss 1.4301 polished surface mounting flange, rear stainless steel 1.4301, blank Triangular bezel, ss polished with U-clamp steel, galvanized
Window	Instrument glass		acrylic glass
Dial	Aluminium white, scale and imprint black		dual scale
Pointer	Aluminium, black		knife edge pointer
Movement	CuZn-alloy		
Measuring element	Copper alloy, up to 100bar, above 100 bar stainless steel 316 L		
Pressure connection	CuZn-alloy		
- position	radial bottom	eccentric rear	
- thread	M16x1.5 without pin		Other threads on request
Temperatures			
- Medium	Tmin. -20°C, Tmax. 80°C		
- Ambient	Tmin. -40°C, Tmax. 60°C		
Temperature drift	0.4%/10K if deviation from normal temperature 20°C		
Protection	IP 54 to EN 60 529 / IEC 529		
Throttle	without		Ms / ø 0.3 ; ø 0.4 ; ø 0.8
Weight approx.	0.5 kg	0.5 kg	

Dimensions

P1525



P1526



Modifications reserved