

Heavy Duty pressure gauges with Bourdon tube

Nominal size ND 80

Connection position bottom, radial or back, central



Description

Pressure gauges of the comprehensive Heavy Duty range are manufactured on the basis of the modular construction system which brings advantages of quality and price. The gauges can be used in all applications where particular importance is attached to measuring accuracy, reproducibility and long-term stability. They can be used with liquid or gaseous media which are not highly viscous and which do not attack copper alloys or crystallize. A wide range of options enables the user to adapt the gauges to his own special requirements.

All Heavy Duty pressure gauges comply with general international recommendations for measuring systems and take requirements for specific applications and technical standards into consideration. (to EN837-1)

Panel mounting is facilitated by the central connecting pin at the back and a corresponding mounting bracket.

Special features

- o High reliability and long service life due to modular construction system
- o Casing, Stainless steel 1.4301 (AISI 304)
- o Accuracy class 1.0
- o Copper alloy measuring system
- o Overload capacity 1.3 x
- o Protection to IP 54

Measuring ranges

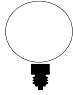
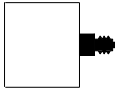
0 ... 0.6 bar to 0 ... 1000 bar

Applications

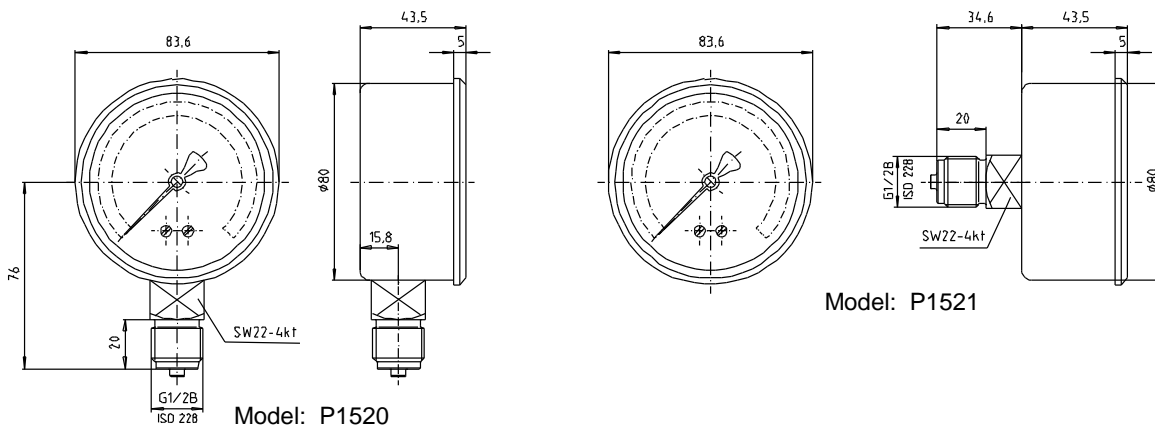
Mechanical engineering and apparatus construction
Automotive engineering
Power supply
Testing and monitoring systems

Models: P1520, P1521

Technical data

Models	P1520	P1521	Options
Nominal size	80		
Symbol EN 837			
Accuracy class	1.0 to EN 837-1		
Ranges	0 ... 0.6 bar to 0 ... 1000 bar negative or positive and negative/positive gauge pressure		
Application	Constant load: up to full scale value Alternating load: 0.9 x of full scale value short-time: overloadable 1.3 x		1.5 to 2 x
Case	Stainless steel 1.4301		Stainless steel, polished or painted black
Bezel	Triangular bezel, stainless steel 1.4301 polished		
Mounting			Front flange / rear flange
Window	Plastic, Trogamid		Glass lens / safety glass
Dial	Aluminium white, scale and imprint black		Dual scale
Pointer	Aluminium black		Drag pointer
Movement	CuZn - alloy		Plastic bearing and teeth; Manocont
Measuring element	Cu - alloy up to 40 bar, above 40 bar stainless steel		
Pressure connection - position - thread	CuZn - alloy radial bottom back, central G 1/2 B		other threads on request
Protection	IP 54 to EN 60 529 / IEC 529		IP 65
Temperatures - Medium - Ambient	Tmin. -20°C , Tmax. 80°C Tmin. -25°C , Tmax. 60°C		
Temperature drift	0.3 %/10K if deviation from normal temperature 20°C		
Throttle			∅ 0.3 ; ∅ 0.4 ; ∅ 0.8
Weight approx.	0.390 kg	0.380 kg	

Dimensions



Modifications reserved