

Derated Single Metal Over the Side Heaters

Low watt density, durable, efficient metal heaters for concentrated alkaline or caustic solutions. Available in Steel, 304 Stainless Steel, 316 Stainless Steel, and Titanium.



FEATURES

For use in most aqueous alkaline solutions, plating and phosphate tanks. Check solution recommendation chart with your chemical supplier for proper sheath material selection.

Heavy wall metal sheaths available in: steel, 304 stainless steel, 316 stainless steel, titanium.

Watt densities up to 18 watts per square inch (2.8 w/cm²) ensure long service life.

Vapor-resistant, flame retardant polypropylene terminal enclosure with 3 ft (.9m) flexible PVC liquid tight conduit.

Temperature and level controls sized to match the heater.

Lower watt densities for highly viscous solutions.

NOTE: Intended for vertical installation only.

<p>Temperature: Up to 180 °C</p>	<p>120 to 600 volts, 600V on 4,500W or lower only</p>
<p>Watts: 500 to 6,000 watts</p>	<p>cULus listed (except steel). CE compliant (except 600 volts)</p>

D SERIES, DERATED METAL HEATERS								
WATTS	VOLTS	HOT ZONE In./(mm)	OVERALL LENGTH In./(mm)	STEEL	304 SS	316 SS	TITANIUM	SHIP WGT. Lbs./(kg)
				DP.5111-**-**	DF.5111-**-**	DS.5111-**-**	DT.5111-**-**	
500	120	6	11	DP.5211-**-**	DF.5211-**-**	DS.5211-**-**	DT.5211-**-**	7 (3.2)
240	(152)	(279)	(279)	DP1217-**-**	DF1217-**-**	DS1217-**-**	DT1217-**-**	10
1000	240	10	17	DP1417-**-**	DF1417-**-**	DS1417-**-**	DT1417-**-**	10 (4.5)
480	(254)	(432)	(432)	DP1.5223-**-**	DF1.5223-**-**	DS1.5223-**-**	DT1.5223-**-**	11
1500	240	16	23	DP1.5423-**-**	DF1.5423-**-**	DS1.5423-**-**	DT1.5423-**-**	11 (5)
480	(406)	(584)	(584)	DP2229-**-**	DF2229-**-**	DS2229-**-**	DT2229-**-**	13
2000	240	20	29	DP2429-**-**	DF2429-**-**	DS2429-**-**	DT2429-**-**	13 (5.9)
480	(508)	(737)	(737)	DP2.5235-**-**	DF2.5235-**-**	DS2.5235-**-**	DT2.5235-**-**	15
2500	240	25	35	DP2.5435-**-**	DF2.5435-**-**	DS2.5435-**-**	DT2.5435-**-**	15 (6.8)
480	(635)	(889)	(889)	DP3240-**-**	DF3240-**-**	DS3240-**-**	DT3240-**-**	17
3000	240	30	40	DP3440-**-**	DF3440-**-**	DS3440-**-**	DT3440-**-**	17 (7.7)
480	(762)	(1016)	(1016)	DP4247-**-**	DF4247-**-**	DS4247-**-**	DT4247-**-**	23
4000	240	37	47	DP4447-**-**	DF4447-**-**	DS4447-**-**	DT4447-**-**	23 (10.4)
480	(940)	(1194)	(1194)	DP4.5254-**-**	DF4.5254-**-**	DS4.5254-**-**	DT4.5254-**-**	24
4500	240	44	54	DP4.5454-**-**	DF4.5454-**-**	DS4.5454-**-**	DT4.5454-**-**	24 (10.9)
480	(1118)	(1372)	(1372)	DP5259-**-**	DF5259-**-**	DS5259-**-**	DT5259-**-**	25
5000	240	49	59	DP5459-**-**	DF5459-**-**	DS5459-**-**	DT5459-**-**	25 (11.3)
480	(1245)	(1499)	(1499)	DP6268-**-**	DF6268-**-**	DS6268-**-**	DT6268-**-**	28
6000	240	58	68	DP6468-**-**	DF6468-**-**	DS6468-**-**	DT6468-**-**	28 (12.7)
480	(1473)	(1727)	(1727)					

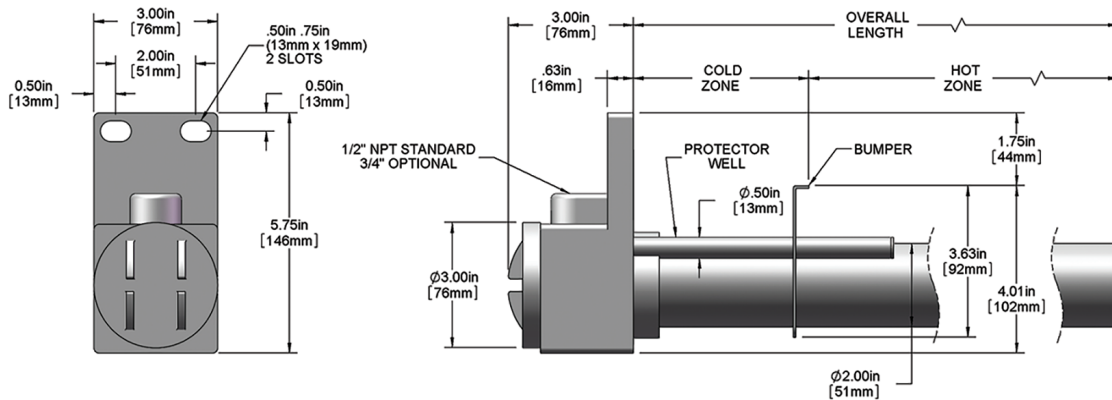
call 1-440-974-1300 • visit processtechnology.com • or contact your local representative for more information

Derated Single Metal Over the Side Heaters

SPECIFICATIONS

Wattages	500 Watts to 6,000 Watts
Voltages	120 volts to 600 volts, (600V on 4,500W or lower only)
Temperature Range	Up to 180°C (82°F)
Options	Special configurations & lengths Longer wire and conduit lengths All metal welded junction box
Safety Features	Grounded construction Thermal protector built in. Replaceable PI protector standard for solutions up to 180°C (82°F). See chart below for options.

DIMENSIONS



MODEL NUMBER BREAKDOWN

Series	Wattage	Voltage	Overall Length	Phase	Type of Protector	Wire & Conduit Length
DP = Steel	.5 = 500	1 = 120	11 = .5kW	Blank = single phase (std)	Replaceable Fuse	36" length standard (no designator)
DF = 304 stainless steel	1 = 1000	2 = 240	17 = 1kW	-3 = 3 phase	P1 (std) = solutions up to 180°F	Specify variations from standard Ex: -X84 = 84"
DS = 316 stainless steel	1.5 = 1500	3 = 380	23 = 1.5kW		P4 = solutions up to 230°F	
DT = Titanium	2 = 2000	4 = 480	29 = 2kW		P5 = solutions up to 300°F	
	2.5 = 2500	5 = 415	35 = 2.5kW		Resettable Fuse	
	3 = 3000	6 = 600	40 = 3kW		P2 = solutions up to 180°F	
	4 = 4000	7 = 400	47 = 4kW		P6 = solutions up to 230°F	
	4.5 = 4500	8 = 208	54 = 4.5kW		P7 = solutions up to 180°F	
	5 = 5000	9 = 220	59 = 5kW			
	6 = 6000	0 = 200	60 = 6kW			

call 1-440-974-1300 • visit processtechnology.com • or contact your local representative for more information