

6HX Fluoropolymer Heater

Excellent chemical resistance to aggressive acids.



FEATURES

Inert to most aqueous acid, alkaline, anodizing, & pickling solutions up to 100°C (212°F).

Rugged, heavy wall PTFE covered stainless steel element reduces permeation. Guaranteed 100% pinhole free.

Space saving & long service life with low Watt density design of 10 W/in² (1.5 W/cm²)

Vapor-resistant, flame retardant polypropylene terminal enclosure with 3 ft (.9m) flexible PVC liquid tight conduit.

Lower watt densities for highly viscous solutions & technical acids.

6HX SERIES, SIX ELEMENT FLUOROPOLYMER (PTFE) HEATERS					
WATTS	VOLTS	HOT ZONE in/(mm)	OVERALL LENGTH in/(mm)	MODEL NUMBER	SHIP WGT. lbs/(kg)
2000	120	9	17	6HX2117-1**	19
		(229)	(432)	6HX2217-1**	(8.6)
				6HX2417-**	
3000	240	15	23	6HX3223-**	22
		(381)	(584)	6HX3423-**	(10)
4000	240	21	29	6HX4229-**	24
		(553)	(737)	6HX4429-**	(10.9)
6000	240	28	35	6HX6235-**	27
		(711)	(889)	6HX6435-**	(12.2)
8000	240	38	47	6HX8247-**	33
		(965)	(1194)	6HX8447-**	(15)
10000	240	47	59	6HX10259-**	40
		(1194)	(1499)	6HX10459-**	(18.1)
12000	240	55	68	6HX12268-**	45
		(1397)	(1727)	6HX12468-**	(20.4)



Temperature:
Up to 100°C



120 to 600 volts,
600V on 4,500W
or lower only



Watts: 2000 to
12,000



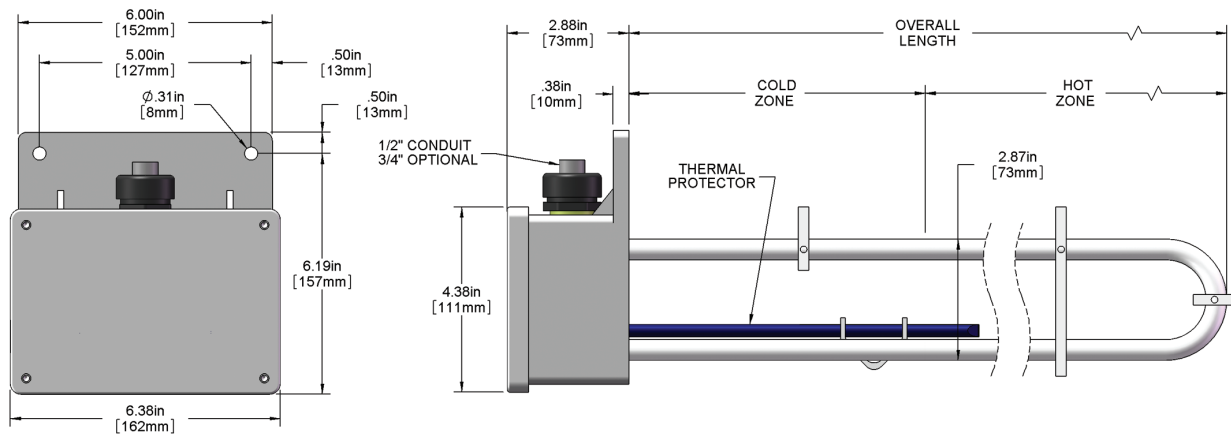
cULus
(except 600 volts)

6HX Metal Heater

SPECIFICATIONS

Wattages	2000 Watts to 12,000 Watts
Voltages	120 volts to 600 volts
Temperature Range	Up to 100°C (212° F)
Safety Features	<p>Grounded internal metal element.</p> <p>Thermal protector built in. Replaceable PI protector standard for solutions up to 180°C (82°F).</p> <p>Non-floating construction.</p> <p>Other options available.</p>

DIMENSIONS



MODEL NUMBER BREAKDOWN

Series	Wattage	Voltage	Overall Length	Phase	Type of Protector	Wire & Conduit Length
6HX = PTFE	2 = 2000	1 = 120	17 = 2kW	No Designator = 3-phase (std.)	Replaceable Fuse	36" length standard (no designator)
	3 = 3000	2 = 240	23 = 3kW	1 = Single phase	P1 (std) = solutions up to 190°F	Specify variations from standard Ex: -X84 = 84"
	4 = 4000	3 = 380	29 = 4kW		Resettable Fuse	
	6 = 6000	4 = 480	35 = 6kW		P2 = solutions up to 190°F	
	8 = 8000	5 = 415	47 = 8kW		P8 = solutions up to 210°F	
	10 = 10000	6 = 600	59 = 10kW		P3 = solutions up to 250°F	
	12 = 12000	7 = 400	68 = 12kW			
		8 = 208				
		9 = 220				
		0 = 200				

call 1-440-974-1300 • visit processtechnology.com • or contact your local representative for more information