

CDL4UEDD5



4 sq.mm Terminal Blocks with diode circuit - DD5 configuration

Double Level Terminal Block are available with diode circuits for lamp testing with LED series resistance.

TECHNICAL DATA

| | |
|----------------------------|--|
| Rated Voltage | 500 V |
| Rated Current | 32 A |
| Tightening Torque | 0.5 Nm |
| Housing Material | Polyamide |
| Comparative Tracking Index | 1 |
| Standard Colour | Grey |
| Type of Connection | Screw Clamp |
| Product Function | With Electronic Components: Diode/Resistor |
| Wire Entry Orientation | Side Entry |
| Mounting Possibility | DIN 32/DIN 35/DIN 35-15 Rail |
| Screw Size | M3 |
| Operated by | Screwdriver |

CONNECTION DATA

| | |
|---|---------------------|
| Conductor Cross Section Stranded min. | 0.2 mm ² |
| Conductor Cross Section Stranded max. | 4 mm ² |
| Conductor Cross Section AWG/Kcmil min | 22 AWG |
| Conductor Cross Section AWG/Kcmil max | 10 AWG |
| Conductor Cross Section Stranded with Ferrule/Lug min | 0.2 mm ² |
| Conductor Cross Section Stranded with Ferrule/Lug max | 4 mm ² |
| 2 Conductors with same Cross Section Stranded min | 0.2 mm ² |
| 2 Conductor with same Cross Section Stranded max | 2.5 mm ² |
| Conductor Cross Section Solid min | 0.2 mm ² |
| Conductor Cross Section Solid max | 6 mm ² |
| 2 Conductors with same Cross Section Stranded with TWIN Ferrule/Lug min | 0.2 mm ² |
| 2 Conductor with same Cross Section Stranded with TWIN Ferrule/Lug max | 2.5 mm ² |
| Stripping Length | 9 mm |
| Internal Cylindrical Gauge | A4 |

DIMENSIONS

| | |
|----------------------------------|---------|
| Height with DIN 32 rail | 60.3 mm |
| Height with DIN 35 x 15 mm rail | 63.1 mm |
| Height with DIN 35 x 7.5 mm rail | 55.7 mm |
| Length | 55.5 mm |
| Width (Thickness) | 6 mm |

Diode Specifications

| | |
|-----------------------|----------|
| Diode Type | 1N4007 |
| Diode Reverse Voltage | 1000 VAC |
| Diode Forward Current | 1 A |

APPROVALS



ORDERING INFORMATION

| CAT. NO. | DESCRIPTION | STD. PACK |
|----------------|---|-----------|
| CDL4UEDD5-24V | 4 sq mm. Terminal Block with Electronic Component in Grey Colour suitable for 12V | 100 |
| CDL4U(E)DD512V | 4 sq mm. Terminal Block with Electronic Component in Grey Colour suitable for 12V | 100 |

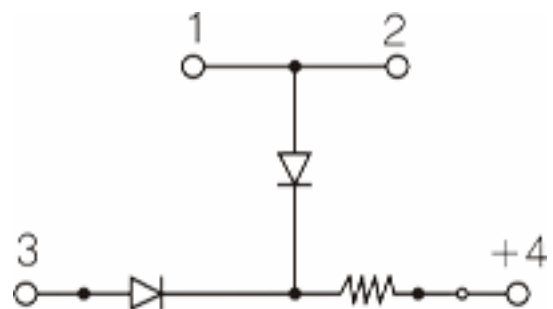
ACCESSORIES

| IMAGES | CAT. NO. | DESCRIPTION | STD. PACK |
|--------|------------|-------------------------------|-----------|
| | CA501-1M | Din 32 Rail unslotted 1 meter | 50 |
| | CA501-1M-S | Din 32 Rail slotted 1 meter | 50 |
| | CA501-2M | Din 32 Rail unslotted 2 meter | 50 |
| | CA501-2M-S | Din 32 Rail slotted 2 meter | 50 |

ACCESSORIES....

| IMAGES | CAT. NO. | DESCRIPTION | STD. PACK |
|--------|---------------|---|-----------|
| | CA701-15-1M | Din 35 Rail 15 deep unslotted 1 meter | 50 |
| | CA701-15-1M-S | Din 35 Rail 15 deep slotted 1 meter | 50 |
| | CA701-15-2M | Din 35 Rail 15 deep unslotted 2 meter | 50 |
| | CA701-15-2M-S | Din 35 Rail 15 deep slotted 2 meter | 50 |
| | EPCDL4U | End Plate in Grey colour suitable for CDL4U / CDL4U(I,S) / CDL4U(E) Terminal Block | 50 |
| | CA703/1 | Permanent Shorting Link for 2 way shorting | 100 |
| | CA704/1 | Permanent Shorting Link for 3 way shorting | 100 |
| | CA705/1 | Permanent Shorting Link for 4 way shorting | 100 |
| | CA732/10 | Permanent Shorting Link for 10 way shorting | 100 |
| | CA732/10-A | Permanent Shorting Link (Breakable) for 10 way shorting | 100 |
| | CA732/100 | Permanent Shorting Link for 100 way shorting | 100 |
| | CA607/S/Q | Shorting Sleeve and Screw | 100 |
| | CA509/K2 | Marking Tag Blank suitable for CDL4U / CDL4U(I,S) / CTL2.5U / CTL2.5UH / CTL2.5UL / CTL2.5HUL / CTL2.5U(L,S) / CTL2.5U(I,S)D2 / CGMT4 / CSFL4U / CSFL4U(L) / CMT4 / CMB4 / ASF4 / ASF4(L) / CTS2.5(| 100 |
| | CDL4USP | Spacer for Double Level Terminal Block | 10 |
| | SCS0.6/3.5 | Electricians Screwdriver for slotted screws | 10 |

CIRCUIT DIAGRAM



RATINGS AS PER STANDARDS

| STANDARDS | UL 1059 | CSA C.22.2 No:158 | IEC/EN60947-7-1 |
|---------------------------------------|---------|-------------------|---------------------|
| Approvals | UL | CSA | CE |
| Conductor Cross Section Stranded min. | 22 AWG | 22 AWG | 0.2 mm ² |
| Conductor Cross Section Stranded max. | 10 AWG | 10 AWG | 4 mm ² |
| Rated Voltage | 600 V | 300 V | 500 V |
| Rated Current | 35 A | 25 A | 32 A |
| Tightening Torque | 7 lb-in | 7 lb-in | 0.5 Nm |