



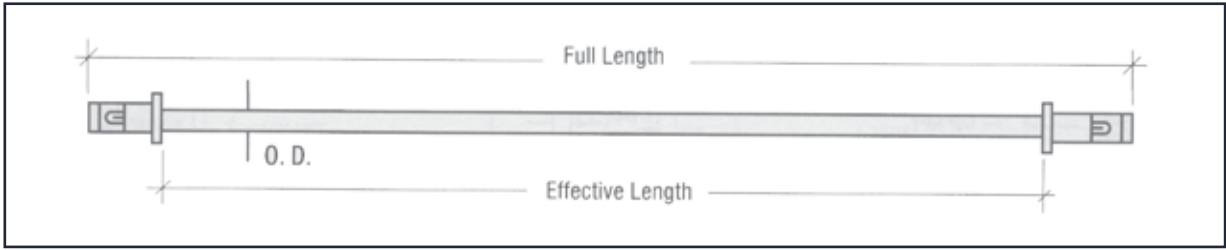
Quartz Heaters consist of a helically wound resistance coil housed in a pure vitreous silica fused quartz tube. The heating coil is specially designed to provide a long life at rated voltage. The quartz tubing is terminated with specially designed ceramic insulating caps that allow the quartz tubing to breathe. The ceramic caps are securely fastened to the quartz tube to the power connecting termination. This construction is excellent for operating continuously or intermittently with a quick heat and cool down response time. Straight long wave infrared rays can be easily arranged to fall on an object by use of a reflection plate. If the cross-section of the reflection plate is designed in parabolic shape, most of the reflected rays will go in parallel

direction to heat the object. Aluminum plate has excellent reflective power, Stainless plate is slightly inferior to aluminum plate while stainless plate must be used where corrosive gas emerges. There is 30% difference between the use of parabolic reflection plate and a plane type. Therefore, a parabolic reflection plate should be used when ever it is possible. For maintaining the efficiency of the reflector cleaning must be done.

Application

Quartz heaters can deliver near and far infrared wavelengths, which is more effective than a single wavelength, capable of generating full heat output capacity in 40 to 50 seconds and cool down in less than 15 seconds. They offer excellent life characteristics whether operated continuously or intermittently with a quick heat and cool down response time. Applications on the field are usually used for the heating process of liquid in the form: water, chemical liquids etc. Use of this heater allows you to thoroughly heater the fluid in accordance with the required temperature.

- Shrink Packaging Tunnel
- Laminating
- Thermoforming
- Plastic Forming
- Fusing Plastics
- Food Warming
- Electrostatic Copying Equipment
- Food Processing
- Drying Photo Film Equipment
- Curing Rubber
- Drying Textiles
- Drying Lacquers and Paints
- Drying Sand Cores
- Space Heaters
- Thermal Copying equipment
- Sterilization
- Water dry off
- Sealing

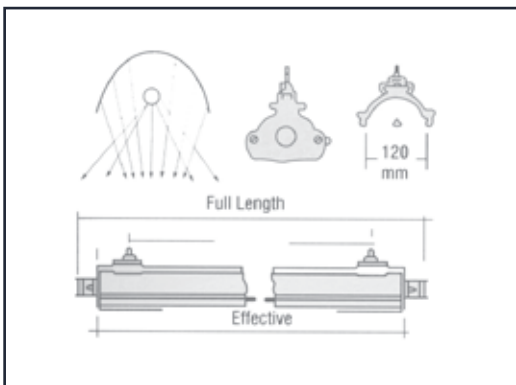


Product Specifications

Effective Length (mm)	Full Length (mm)	O.D. Ø	Voltage (V)	Wattage (W)
250	375	14	110	300
300	425	14	110	450
350	475	14	110	500
400	525	14	220	450
400	525	14	220	600
450	575	14	220	500
450	575	14	220	650
500	625	14	220	550
500	625	14	220	750
550	675	14	220	600
550	675	14	220	800
600	725	14	220	6650
600	725	14	220	850
700	825	14	220	750
700	825	14	220	1KW
750	875	14	220	800
750	875	14	220	1.1KW
800	925	14	220	900
800	925	14	220	1200

Effective Length (mm)	Full Length (mm)	O.D. Ø	Voltage (V)	Wattage (W)
300	425	17	110	550
400	525	17	110	700
500	625	17	110	650
500	625	17	220	850
600	725	17	220	800
600	725	17	220	1KW
750	875	17	220	1KW
750	875	17	220	1300
800	925	17	220	1100
800	925	17	220	1400
900	1025	17	220	1200
900	1025	17	220	1500
1000	1125	17	220	1300
1000	1125	17	220	1700
1200	1325	17	220	1600
1200	1325	17	220	2000
1300	1425	17	220	2000
1400	1525	17	220	2100
1500	1625	17	220	2300
1600	1725	17	220	2400

Focus type reflector



Ceramic protector and cap

