

AC SOLID STATE RELAY

KD40C10AX
KD40C15AX
KD40C25AX
KD40C40AX
KD40C50AX
KD40C75AX
KD40C90AX
KD40C100AX

KD SERIES

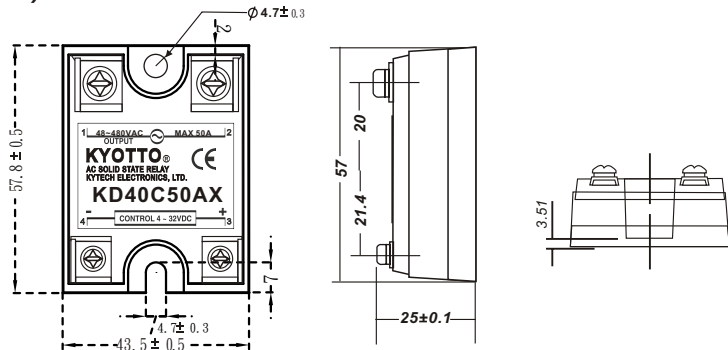


SPECIFICATIONS

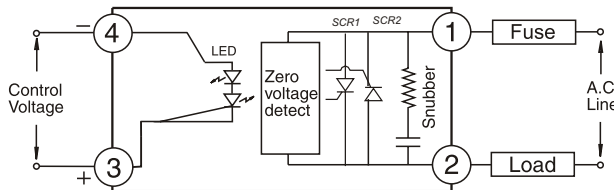
MODEL NO.	CONTROL VOLTAGE RANGE	MUST TURN OFF VOLTAGE	INPUT IMPEDANCE	MAX LOAD CURRENT	LOAD VOLTAGE RANGE	MIN BLOCKING VOLTAGE	MAX OFF-STATE LEAKAGE	FREQUENCY RANGE	MAX 1-CYCLE PEAK SURGE
KD40C10AX	4 TO 32 VDC	MAX 1.0 VDC	1.5 Kohm	10A	48-480VAC	1200VAC	LESS15mA	47-70HZ	100A
KD40C15AX	4 TO 32 VDC	MAX 1.0 VDC	1.5 Kohm	15A	48-480VAC	1200VAC	LESS15mA	47-70HZ	150A
KD40C25AX	4 TO 32 VDC	MAX 1.0 VDC	1.5 Kohm	25A	48-480VAC	1200VAC	LESS15mA	47-70HZ	250A
KD40C40AX	4 TO 32 VDC	MAX 1.0 VDC	1.5 Kohm	40A	48-480VAC	1200VAC	LESS15mA	47-70HZ	400A
KD40C50AX	4 TO 32 VDC	MAX 1.0 VDC	1.5 Kohm	50A	48-480VAC	1200VAC	LESS15mA	47-70HZ	500A
KD40C75AX	4 TO 32 VDC	MAX 1.0 VDC	1.5 Kohm	75A	48-480VAC	1200VAC	LESS15mA	47-70HZ	750A
KD40C90AX	4 TO 32 VDC	MAX 1.0 VDC	1.5 Kohm	90A	48-480VAC	1200VAC	LESS15mA	47-70HZ	900A
KD40C100AX	4 TO 32 VDC	MAX 1.0 VDC	1.5 Kohm	100A	48-480VAC	1200VAC	LESS15mA	47-70HZ	1000A

MODEL NO.	MAX OFF STATE dV/dt	MAX ON-STATE VOLTAGE DROP	ISOLATE IMPEDENCE	DIELECTRIC STRENGTH INPUT-OUTPUT	DIELECTRIC STRENGTH INPUT-OUTPUT-CASE	TURN ON TIME	TURN OFF TIME	CAPACITANCE IN-OUT	WEIGHT (g)
KD40C10AX	200 V/ μ SEC	2.0VACrms	10 ⁹ ohm	4000 VACrms	2500 VAC (rms)	LESS 2 mSec	LESS 1/2 AC CYCLE	LESS 15 PF	92 g
KD40C15AX	200 V/ μ SEC	2.0VACrms	10 ⁹ ohm	4000 VACrms	2500 VAC (rms)	LESS 2 mSec	LESS 1/2 AC CYCLE	LESS 15 PF	92 g
KD40C25AX	200 V/ μ SEC	2.0VACrms	10 ⁹ ohm	4000 VACrms	2500 VAC (rms)	LESS 2 mSec	LESS 1/2 AC CYCLE	LESS 15 PF	100g
KD40C40AX	200 V/ μ SEC	2.0VACrms	10 ⁹ ohm	4000 VACrms	2500 VAC (rms)	LESS 2 mSec	LESS 1/2 AC CYCLE	LESS 15 PF	100g
KD40C50AX	200 V/ μ SEC	2.0VACrms	10 ⁹ ohm	4000 VACrms	2500 VAC (rms)	LESS 2 mSec	LESS 1/2 AC CYCLE	LESS 15 PF	100g
KD40C75AX	200 V/ μ SEC	2.0VACrms	10 ⁹ ohm	4000 VACrms	2500 VAC (rms)	LESS 2 mSec	LESS 1/2 AC CYCLE	LESS 15 PF	100g
KD40C90AX	200 V/ μ SEC	2.0VACrms	10 ⁹ ohm	4000 VACrms	2500 VAC (rms)	LESS 2 mSec	LESS 1/2 AC CYCLE	LESS 15 PF	100g
KD40C100AX	200 V/ μ SEC	2.0VACrms	10 ⁹ ohm	4000 VACrms	2500 VAC (rms)	LESS 2 mSec	LESS 1/2 AC CYCLE	LESS 15 PF	100g

OUTLINE DIMENSIONS(unit:mm)



EQUIVALENT CIRCUIT



CHARACTERISTIC CURVES

