

RLA-KB/KBB

Turn light

- Ø118 rotating continuous light, rotating continuous light and buzzer built in
- Incandescent lamp lighting (BA 15S)
- Used the special power transmitting plant, less noise and long life expectancy.
- Large size rotational reflector is built in, excellent light reflection
- Excellent attaching / detaching due to the permanent magnet attachment type (refer to the suffix code)
- Degree of protection IP54



●● Suffix code

Model	Code			Description
RLA-	<input type="checkbox"/>	<input type="checkbox"/>	<input type="checkbox"/>	Turn light (Ø118)
Function	KB			Rotating continuous light
	KBB			Rotating continuous light and buzzer built in
Power supply voltage and installation method		01	12 V d.c	※ Direct installing type
		02	24 V d.c	
		012	110 / 220 V a.c	
		012M	110 / 220 V a.c	※ Magnet supporter
		01A	12 V d.c	※ Cigar jack attachment magnet supporter
		02A	24 V d.c	
	R	Red		
	Y	Yellow		
	G	Green		


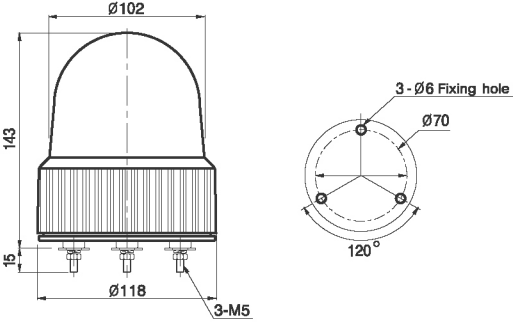

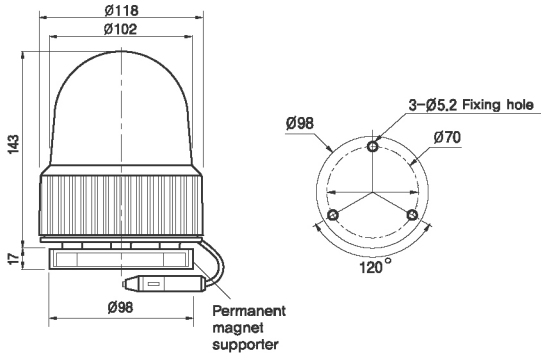
●● Specification

Model	RLA-KB□□	RLA-KBB□□
Function	Rotating continuous light	Rotating continuous light, buzzer
Dimension	Ø118 Cap	
Power supply voltage	12 V d.c, 24 V d.c, 110/220 V a.c 50/60 Hz	
Power consumption	4.0 W (when power supply voltage is 24 V d.c), 4.5 W (when power voltage is 220 V a.c)	
Rotating speed	Approx 80 times/min	
Light source	Incandescent lamp (base rating : BA 15S)	
Buzzer volume	-	Approx 90 dB
Material	Cap: acryl resin, Body : ABS resin	
Cap color	Red, Yellow, Green	
Degree of protection	IP54	


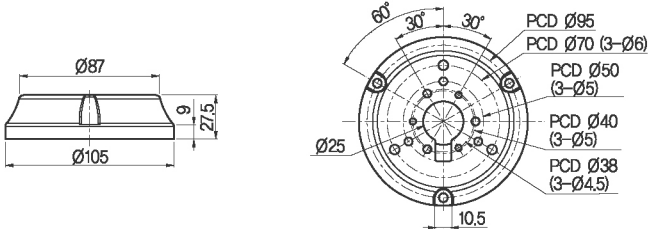
Power specification

Model		Power supply voltage	Current	Rotational	Lamp
RLA -KB01(A)	RLA-KBB01(A)	12 V d.c	0.9 A	80 times/min	12 V
RLA -KB02(A)	RLA-KBB02(A)	24 V d.c	0.4 A		24 V
RLA-KB012(M)	RLA-KBB012(M)	110 V a.c	0.1 A		110 V
		220 V a.c	0.05 A		220 V

Dimension and panel cutout (unit : mm)

Model	Appearance	Dimension and panel cutout
RLA-KB□□ RLA-KBB□□ (Normal type)		
RLA-KB□□ RLA-KBB□□ (automobile)		

Supporter dimension (unit : mm)

Appearance	Dimension and panel cutout
 STM-105 (Optional)	

Control switch
Combination display light

Power switch
Main switch
Cam switch

Limit switch
Micro switch

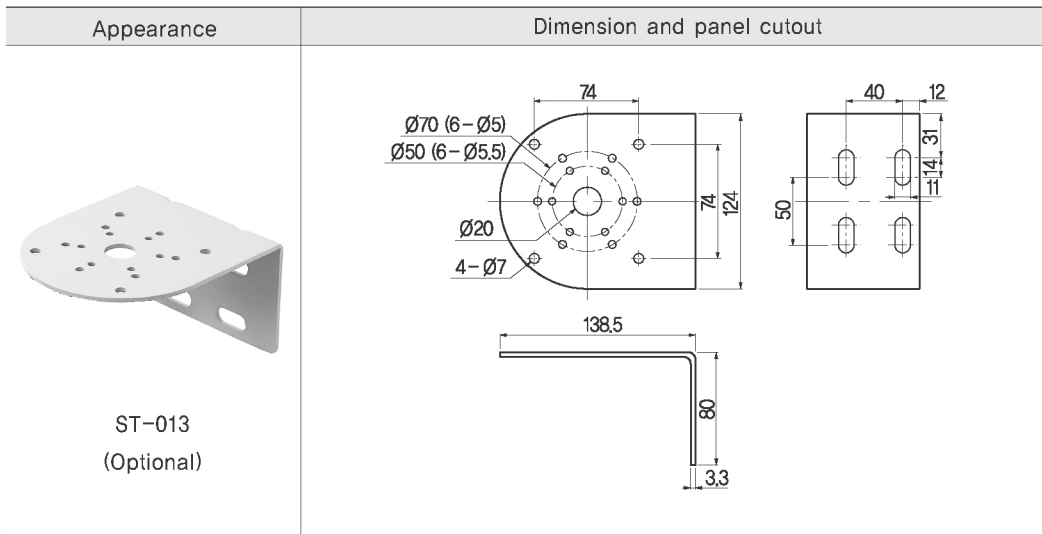
Hoist switch
Foot switch
Mono lever switch

Sign tower
Signal light

Buzzer
Terminal block
Fuse holder

Control box
Cable connector

Discontinued Products

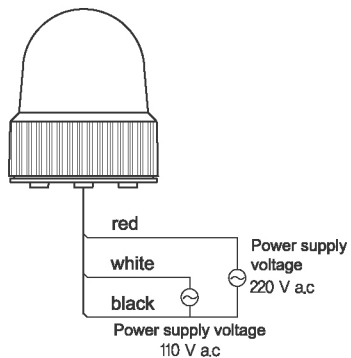


Connection diagram

Buzzer (buzzer built in type) is connected to the power wire

Model	Power supply voltage	Wire color
RLA-□01(A)□	12 V d.c	Cigar jack or blue (+), brown (-)
RLA-□02(A)□	24 V d.c	
RLA-□012(M)□	110 V a.c 50/60 Hz	black - white (3P)
	220 V a.c 50/60 Hz	black - red (3P)

■ AC



■ DC

