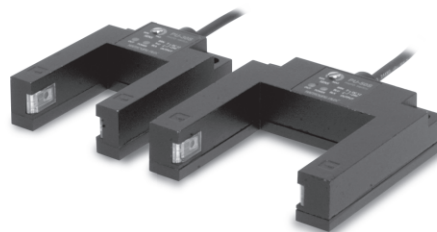


PU Series

Fast responding, Best reliability

- Optic axis control unnecessary
- Solid die casting case
- Attached the sensitivity adjustment volume
- Sensing range 30/50mm
- Select the operation mode due to the power polarity reverse connection



Specification

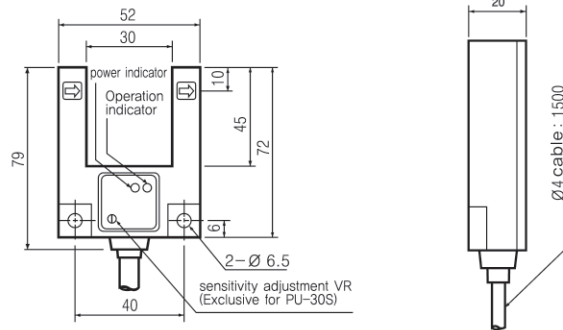
| Model | PU-30 | PU-30S | PU-50 | PU-50S |
|----------------------------|---|------------------------------|-------------------------------|-------------------------------|
| Sensing method | Through beam type | | | |
| Sensing distance | 30 mm | | 50 mm | |
| Sensing object | min Ø2 mm (Opaque body) | min Ø0.6 mm (Opaque body) | min Ø 1.5 mm (Opaque body) | min Ø 0.4 mm (Opaque body) |
| Power supply voltage | 12 – 24 V DC, ± 10% | | | |
| Current consumption | max 30 mA | | | |
| Control output | NPN Voltage output, Load current : max 200 mA, Remaining voltage : max 2 V | | | |
| Output action | L.ON/D.ON selected by the power reverse connection | | | |
| Response time | max 1 ms | | | |
| Light source (wave length) | Infrared lightening LED | | | |
| LED | Control output : Red LED, Power indication : Green LED | | | |
| Sensitivity adjustment | fixed | by the volume | fixed | by the volume |
| Protective circuit | Output short protective circuit | | | |
| Ambient temperature | -10 ~ 55 °C (Surrounding storage temperature : -25 ~ 70 °C) | | | |
| Ambient humidity | 35 ~ 85 % RH (With no condensation) | | | |
| Protective structure | IP 65 (IEC) | | | |
| Insulation resistance | min 100 MΩ (500 V DC, Between the code and case, Between the contact and power) | | | |
| Dielectric strength | 500 V AC, for 1 min | | | |
| Vibration resistance | 10 – 55 Hz double amplitude 1.5 mm, for 2 hours each in X, Y and Z directions | | | |
| Shock resistance | 500 %, X, Y, Z 3 times each in X, Y and Z directions | | | |
| Connection method | Code extended type 1.5 m | | | |
| Material | Case: ZN, lens: PC | | | |
| Weight | Approx. 250 g (Included the weight of box) | | | |

G

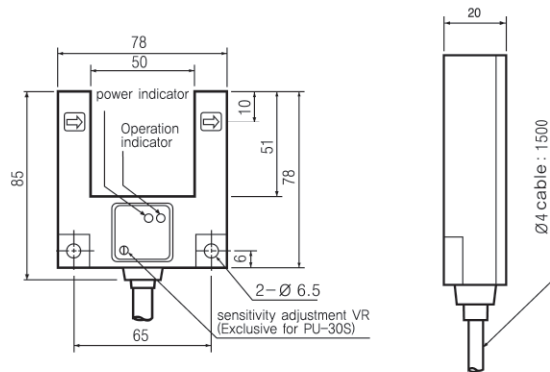
Photo
Sensor

Dimension (Unit : mm)

■ PU-30

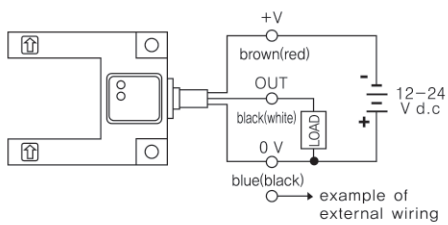


■ PU-50

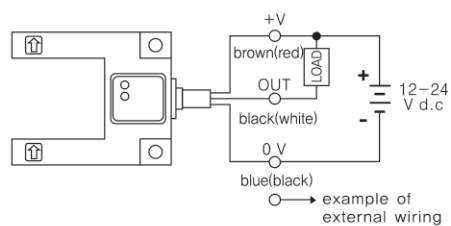


Connection diagram

■ Light ON

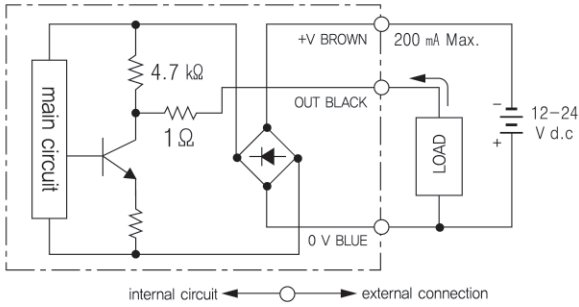


■ Dark ON

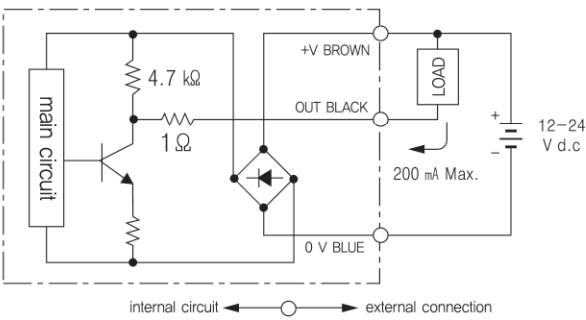


Control output circuit diagram

Light ON



Dark ON



Operation chart

| Detection status | | L-ON | D-ON |
|------------------|--|------|------|
| Light ON | TR output and L.ON indicator (Red LED) | ON | OFF |
| | TR output and D.ON indicator (Red LED) | OFF | ON |
| Dark ON | TR output and L.ON indicator (Red LED) | OFF | ON |
| | TR output and D.ON indicator (Red LED) | ON | OFF |