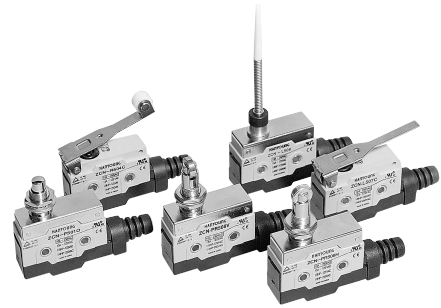


ZCN-500 series

Limit switch

- Gap of installation cutout dimension is same as micro switch (HY-P700)
- Certain operation and long life expectancy by applying Beryllium copper and running spring to the strong chemical resistance case.
- Compact size and light weight. (Strong mechanical durability)
- 9 types of actuators which provide wide usages
- Less force required to run the operation comparing to the normal limit switch.
- Excellent sealing



●● Specification

Contact structure	M4 screw tightening, 1c contact	
Contact material	AgCdO	
Protective structure	IP 54	
Rated current(Ie)	10 A 250 V a.c	
Dielectric strength	2,000 V a.c 50/60 Hz for 1 min (between the terminal and non-recharging metal part)	
Insulation resistance	Min 100 M Ω (500 V d.c insulated ohmmeter)	
Contact resistance	Max 50 M Ω (default value)	
Rated voltage(Ue)	250 V a.c	
Actuator intensity	5 times larger than O.F (force required to operate), operating direction 1 min	
Vibration	Double amplitude 1.5 mm, frequency 10 ~ 55 Hz, continuously 2 hour	
Shock	1,000 % \ddot{g} (durability), 300 % \ddot{g} (malfunction)	
Allowable operation speed	0.1 ~ 1 % (without damaging the actuator)	
Life expectancy	Mechanical	Min 1 million times (less than open/close frequency 120 times/min)
	Electrical	Min 300 thousand times (less than open/close frequency 20 times/min)
Ambient temperature	-10 ~ 80 $^{\circ}$ C	
Ambient humidity	25 ~ 95 % R.H.	
Weight	Approx 1010 g (10 ZCN-PR508H 1 box)	

●● Terminal arrangement

Appearance	Connection diagram
<p>↓ Actuator</p>	

Control switch
Combination
display light

Power switch
Main switch
Cam switch

Limit switch
Micro switch

Hoist switch
Foot switch
Mono lever switch

Sign tower
Signal light


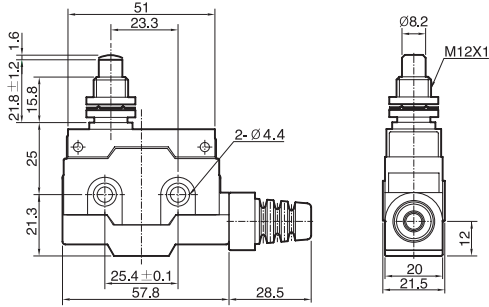
Buzzer
Terminal block
Fuse holder

Control box
Cable connector


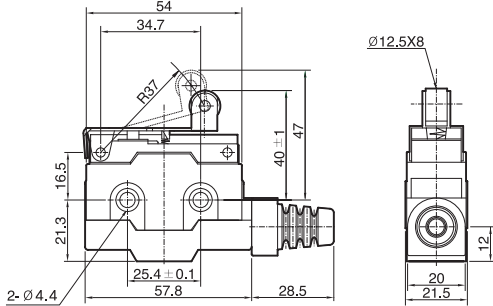
Discontinued
Products

Dimension (unit : mm)

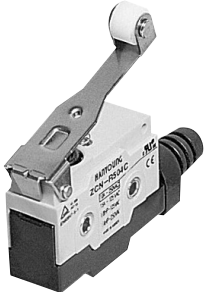
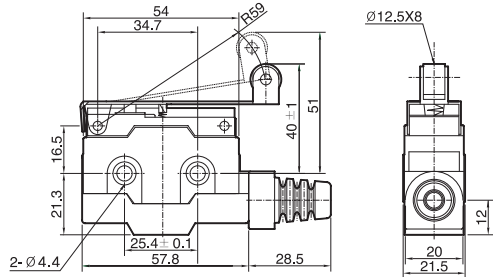
■ Plunger type

Appearance	Dimension	Operation characteristic
 <p>ZCN-P5010</p>		<p>O,F max : 5.88 N (600 gf) R,F min : 0.98 N (100 gf) P,T max : 1.6 mm O,T min : 5 mm M,D max : 0.2 mm O,P : 21.8 mm</p>

■ Hinge roller short lever type


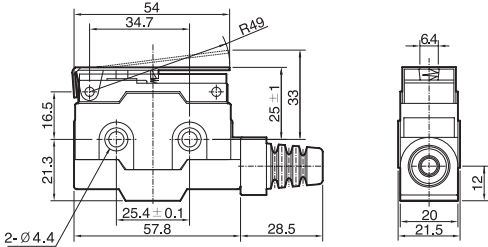
Appearance	Dimension	Operation characteristic
 <p>ZCN-R504A</p>		<p>O,F max : 5.88 N (600 gf) R,F min : 0.78 N (80 gf) O,T min : 2 mm M,D max : 1.5 mm F,P max : 47 mm O,P : 40 mm</p>

■ Hinge roller long lever type

Appearance	Dimension	Operation characteristic
 <p>ZCN-R504C</p>		<p>O,F max : 2.74 N (280 gf) R,F min : 0.95 N (60 gf) O,T min : 5 mm M,D max : 3 mm F,P max : 51 mm O,P : 40 mm</p>

ZCN-500 series

■ Hinge short lever type

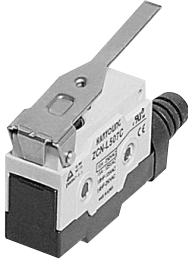
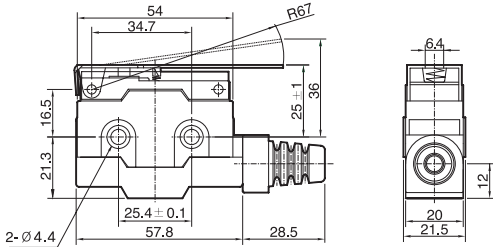
Appearance	Dimension	Operation characteristic
 <p>ZCN-L507A</p>		<p>O,F max : 3.92 N (400 gf) R,F min : 0.78 N (80 gf) O,T min : 2.5 mm M,D max : 1 mm F,P max : 33 mm O,P : 25 mm</p>

Control switch
Combination display light

Power switch
Cam switch

Limit switch
Micro switch

■ Hinge long lever type


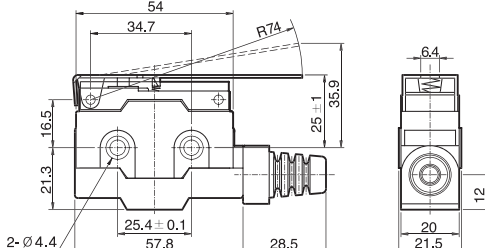
Appearance	Dimension	Operation characteristic
 <p>ZCN-L507C</p>		<p>O,F max : 2.74 N (280 gf) R,F min : 0.59 N (60 gf) O,T min : 4 mm M,D max : 1.4 mm F,P max : 36 mm O,P : 25 mm</p>

Hoist switch
Foot switch
Mono lever switch

Sign tower
Signal light

Buzzer
Terminal block
Fuse holder


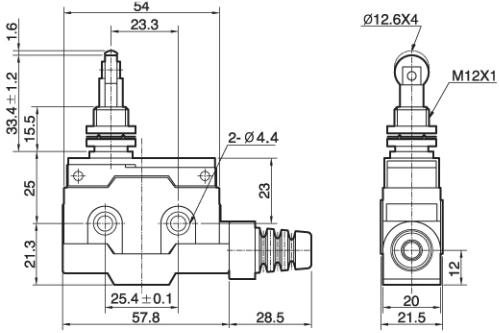
■ Hinge long lever type

Appearance	Dimension	Operation characteristic
 <p>ZCN-L507D</p>		<p>O,F max : 2.74 N (280 gf) R,F min : 0.59 N (60 gf) O,T min : 4 mm M,D max : 1.4 mm F,P max : 36 mm O,P : 25 mm</p>


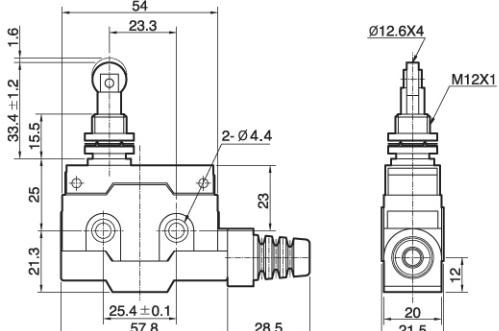
Control box
Cable connector

Discontinued Products


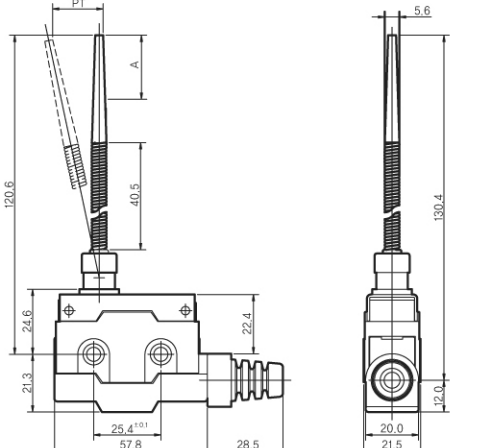
■ (Vertical) roller plunger type

Appearance	Dimension	Operation characteristic
 <p>ZCN-PR508V</p>		<p>O.F max : 5.88 N (600 gf) R.F min : 0.98 N (100 gf) P.T max : 1.6 mm O.T min : 5 mm M.D max : 0.2 mm O.P : 33.4 mm</p>

■ (Horizontal) roller plunger type

Appearance	Dimension	Operation characteristic
 <p>ZCN-PR508H</p>		<p>O.F max : 5.88 N (600 gf) R.F min : 0.98 N (100 gf) P.T max : 1.6 mm O.T min : 5 mm M.D max : 0.2 mm O.P : 33.4 mm</p>

■ Resin road coil spring type

Appearance	Dimension	Operation characteristic
 <p>ZCN-L509</p>		<p>O.F max : 5.88 N (600gf) P.T max : 19 mm T.T max : 40 mm</p>

A : Optimum operating range of the resin rod is within 1/3 of the entire length from the top end