

LT series

Signal light

- Rotational flickering function by the sequential flashing
- Long life expectancy due to the HID LED light source
- Select Ø84 round cap, direct mounting or supporter mounting
- Excellent visible rays transmissivity due to using an acryl cap
- Solid and smart design
- Degree of protection IP54




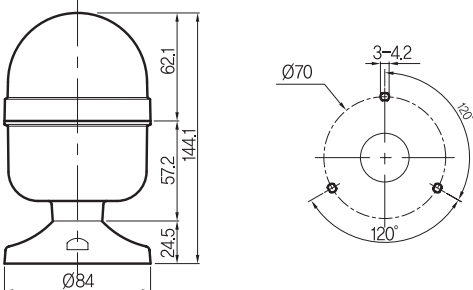

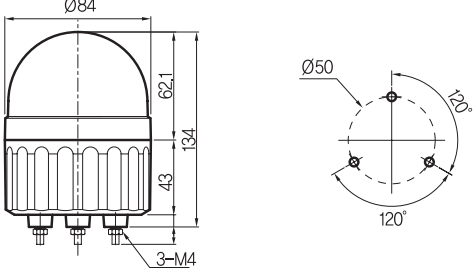

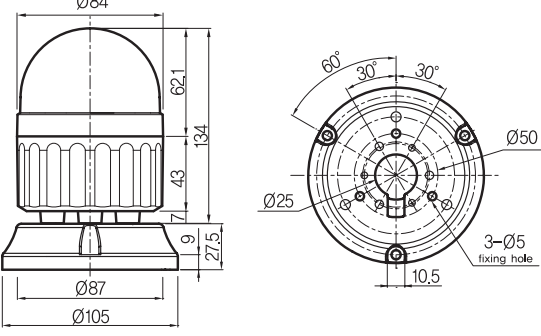
Suffix code

Model	Code	Description	
LT-	□ □ □	Signal light (Ø84 Cap)	
Installation type (Function)	R	Supporter mounting (rotating, flashing)	
	P	Direct mounting (rotating, flashing)	※ Optional supporter (STM-105)
	PB	Direct mounting (rotating, flashing, buzzer built in)	
Power supply voltage	12	12 – 48 V d.c, 12 – 24 V a.c 50 – 60 Hz	
	012	110/220 V a.c 50 – 60 Hz	
Cap color	R	Red	
	Y	Yellow	
	G	Green	

Specification

Model	LT-R□□	LT-P□□	LT-PB□□
Function	Rotating, Flashing		Rotating, Flashing, Buzzer
Cap shape	Round type cap (Ø84)		
Installation type	supporter mounting installation	direct installation	
Power supply voltage	12 – 48 V d.c, 12 – 24 V a.c, 110/220 V a.c 50/60 Hz		
Power consumption	Max 2.9 W (Power supply voltage : 12 – 48 V d.c) Max 5 W (Power supply voltage : 110 / 220 V a.c)		
Sequential number of rotation	Approx 90 times / Min (flashing speed approx. 50 times / min)		
Light source	LED ※ LED quantity : 24		
buzzer	-		Buzzer melody 2 kinds (single, beeping) sound pressure decibel : 80 dB (1m distance)
Material	Protective cap: acryl resin, Body: ABS resin		
Cap color	Red, Yellow, Green		
Degree of protection	IP54		

Dimension and panel cutout (unit : mm)

Model	Appearance	Dimension and panel cutout
LT-R□□		
LT-P□□ LT-PB□□		
STM-105 Supporter (Optional)		

Control switch
Combination display light

Power switch
Main switch
Cam switch

Limit switch
Micro switch

Hoist switch
Foot switch
Mono lever switch


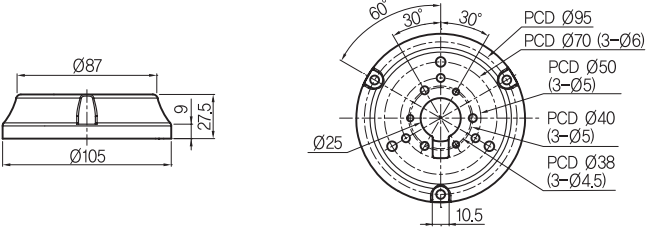
Signal tower
Signal light

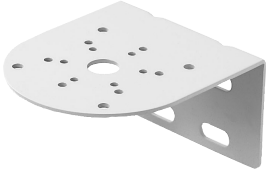
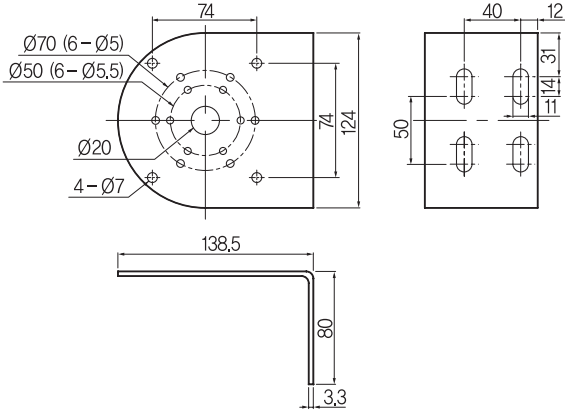
Buzzer
Terminal block
Fuse holder

Control box
Cable connector

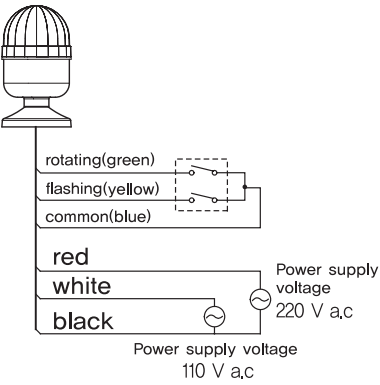
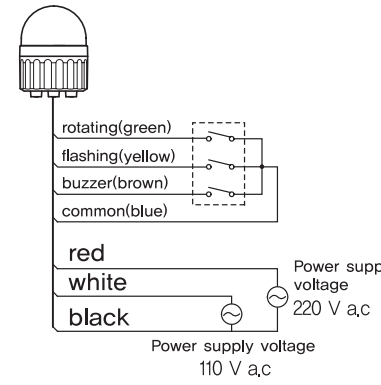
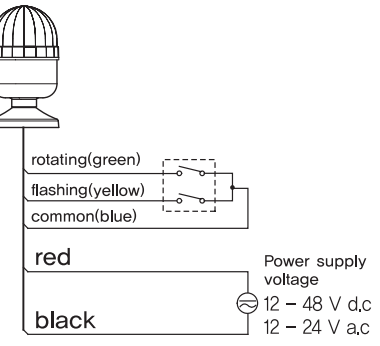
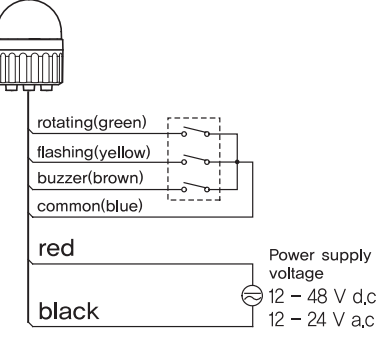
Discontinued Products

Supporter dimension (unit : mm)

Appearance	Dimension and panel cutout
 STM-105 (Optional)	

Appearance	Dimension and panel cutout
 <p data-bbox="285 654 386 721">ST-013 (Optional)</p>	 <p>Technical drawings showing dimensions for the panel cutout and the mounting bracket. The panel cutout is circular with a diameter of 74 mm. It features a central hole of diameter 20 mm, six holes of diameter 5 mm arranged in a circle of diameter 70 mm, and four holes of diameter 7 mm arranged in a circle of diameter 50 mm. The mounting bracket is L-shaped with a total length of 138.5 mm and a height of 80 mm. The bracket has a thickness of 3.3 mm. The panel cutout is shown with a 40 mm width and a 12 mm height, with a 31 mm offset from the top edge.</p>

●● Connection diagram

Model	LTR-12 / LTR-012	LTPB-12 / LTPB-012
<p data-bbox="201 1103 365 1207">Power supply voltage 110 / 120 V a.c</p>	 <p>Connection diagram for LTR-12 / LTR-012 with 110 V a.c power supply. The diagram shows a power supply connected to a red wire (common) and a black wire (ground). The red wire is connected to a common terminal (blue) of a switch assembly. The switch assembly includes a rotating terminal (green) and a flashing terminal (yellow). The power supply voltage is 110 V a.c.</p>	 <p>Connection diagram for LTPB-12 / LTPB-012 with 110 V a.c power supply. The diagram shows a power supply connected to a red wire (common) and a black wire (ground). The red wire is connected to a common terminal (blue) of a switch assembly. The switch assembly includes a rotating terminal (green), a flashing terminal (yellow), and a buzzer terminal (brown). The power supply voltage is 110 V a.c.</p>
<p data-bbox="201 1554 365 1701">Power supply voltage 12 - 48 V d.c 12 - 24 V a.c</p>	 <p>Connection diagram for LTR-12 / LTR-012 with 12-48 V d.c or 12-24 V a.c power supply. The diagram shows a power supply connected to a red wire (common) and a black wire (ground). The red wire is connected to a common terminal (blue) of a switch assembly. The switch assembly includes a rotating terminal (green) and a flashing terminal (yellow). The power supply voltage is 12 - 48 V d.c or 12 - 24 V a.c.</p>	 <p>Connection diagram for LTPB-12 / LTPB-012 with 12-48 V d.c or 12-24 V a.c power supply. The diagram shows a power supply connected to a red wire (common) and a black wire (ground). The red wire is connected to a common terminal (blue) of a switch assembly. The switch assembly includes a rotating terminal (green), a flashing terminal (yellow), and a buzzer terminal (brown). The power supply voltage is 12 - 48 V d.c or 12 - 24 V a.c.</p>