

HY-TN series (Ø55)

Sign tower

- Ø55 cylinder type
- Applied the socket type incandescent lamp
- 1~5 stacking structure and 5 kinds of colors
- Continuous light only, continuous light, flashing light, Buzzer (selected by the external signal)



Control switch
Combination display light

Power switch
Main switch
Cam switch

Limit switch
Micro switch

Hoist switch
Foot switch
Mono lever switch

Sign tower
Signal light

Buzzer
Terminal block
Fuse holder



Control box
Cable connector

Discontinued Products


●● Suffix code

Model	Code			Description
HY-	<input type="checkbox"/>	<input type="checkbox"/>	<input type="checkbox"/>	HY-TN series sign tower
Function	TN			Continuous light only
	TWN			Continuous light, flashing light
	TBN			Continuous light, buzzer
	TWBN			Continuous light, flashing light, buzzer
	TLN			Continuous light only
	TWLN			Continuous light, flashing light
	TBLN			Continuous light, buzzer
	TWBLN			Continuous light, flashing light, buzzer
Power supply voltage	12			12 V d.c
	24			24 V d.c
	110			110 V a.c
	220			220 V a.c
Stacking modules	1			1 stack (Red)
	2			2 stack (Red, green)
	3			3 stack (Red, yellow, green)
	4			4 stack (Red, yellow, green, blue)
	5			5 stack (Red, yellow, green, blue, white)
Supporter selection				None (L type bracket standard)
Optional				Plastic bracket installation (ST-011)

●● Light source

Bulb	LED(HY-LP□□)
	

Specification

Model	HY-TN □□	HY-TWN □□	HY-TBN □□	HY-TWBN □□	HY-TLN □□	HY-TWLN □□	HY-TBLN □□	HY-TWBLN □□
Function	continuous light only	continuous light, flashing light	continuous light, Buzzer	continuous light, flashing light, Buzzer	continuous light only	continuous light, flashing light	continuous light, Buzzer	continuous light, flashing light, Buzzer
Diameter	Ø55							
Number of stacks	1 ~ 5 stack							
Flashing time	-	60 times/1min	-	60 times/1min	-	60 times/1min	-	60 times/1min
Buzzer melody type	-		Single melody, beeping		-		Single melody, beeping	
Buzzer melody volume	-		80 dB (1 m distance)		-		80 dB (1 m distance)	
Power supply voltage	12 V d.c, 24 V d.c, 110 V a.c, 220 V a.c 50/60 Hz							
Light source	Incandescent lamp (BA 15S)				LED (BA 15S)			
Radiating angle	360°							
Lens material	SAN							
Pipe material	Aluminum							
Lens color	Red, Yellow, Green, Blue, White							
Degree of protection	In door							
Cetification								
IK cord	IK06							

Lamp specification and current consumption

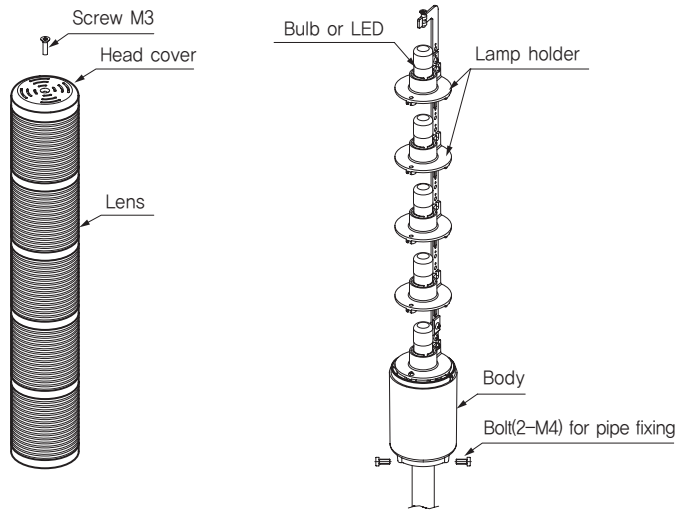
■ Bulb (BA 15S)

Power supply voltage	12 V d.c	24 V d.c	110 V a.c	220 V a.c	
Lamp capacity	5 W				
Light source type	Bulb (BA 15S)				
Current consumption	1 stack	0.42 A	0.21 A	0.07 A	0.04 A
	2 stack	0.84 A	0.42 A	0.14 A	0.08 A
	3 stack	1.26 A	0.63 A	0.20 A	0.11 A
	4 stack	1.68 A	0.84 A	0.27 A	0.14 A
	5 stack	2.10 A	1.05 A	0.33 A	0.17 A

■ LED (BA 15S)

Power supply voltage	12 V d.c	24 V d.c	110 V a.c	220 V a.c	
Lamp capacity	1.2 VA	1.2 VA	2 VA	4 VA	
Light source type	LED (BA 15S)				
Current consumption	1 stack	96 mA	48 mA	18 mA	18 mA
	2 stack	192 mA	96 mA	36 mA	36 mA
	3 stack	288 mA	144 mA	54 mA	54 mA
	4 stack	384 mA	192 mA	72 mA	72 mA
	5 stack	480 mA	240 mA	90 mA	90 mA

●● Name of each part



- Control switch
Combination display light
- Power switch
Main switch
Cam switch
- Limit switch
Micro switch
- Hoist switch
Foot switch
Mono lever switch

●● Dimension (Unit : mm)

HY-TN, HY-TWN, HY-TLN, HY-TWLN type		HY-TBN, HY-TWBN, HY-TBLN, HY-TWBLN type	
Appearance	Dimension	Appearance	Dimension

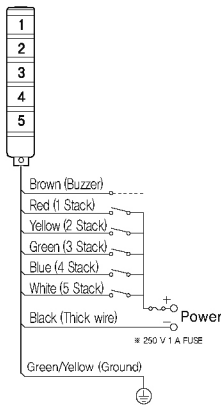
- Signal tower
Signal light
- Buzzer
Terminal block
Fuse holder
- Control box
Cable connector
- Discontinued
Products

Installation method

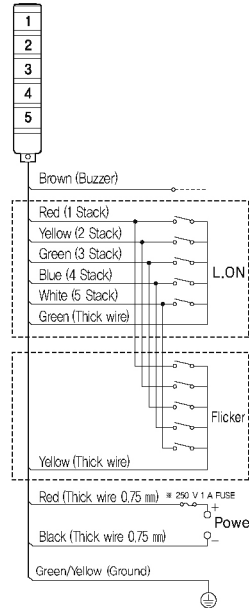
- When controlling more than 2 sign towers at the same time, please use independent contact. (TWN type)
- With the 110 V, 220 V a.c specification of TWN type and TWBN type, please do not connect the yellow and green wire to the power line (red and black)
- When operating the Buzzer, please connect the brown wire (for buzzer) to the L.ON (light on) wire or flashing wire. It is able to select as continuous melody (TNB type) and single melody. (TWBN type)
- When operating the buzzer and indicator at the same time, please connect the brown wire of buzzer to the signal input wire of indicator that users want to operate the buzzer. Single melody when light is flashing and continuous melody when light is continuously ON.
- With the 12 V d.c and 24 V d.c specifications, black wire (thickness : 0.75 mm) is (-).
- please connect ground wire (Green/Yellow) to the ground contact part of the main machine. (only for AC)

Connection diagram


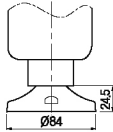
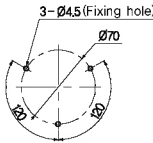

- HY-TN type, HY-TLN type, HY-TBN type, HY-TBLN type



- HY-TWN type, HY-TWLN type, HY-TWBN type, HY-TWBLN type



Supporter appearance and panel cutout (Unit : mm)

Appearance	Dimension and panel cutout	
 <p>ST-011</p>		
 <p>L type supporter</p>	