

# CTB-KBB/CTC-KBM

## Square pillar type Cube tower (Turn light)

- Various square pillar type such as side length 82mm and 116mm
- 1~3 stacking structure and 3 kinds of colors
- Incandescent lamp light source, square pillar type rotating indicator
- Rotating continuous light, buzzer or rotating continuous light, 4 melodies



Control switch  
Combination display light

Power switch  
Main switch  
Cam switch

Limit switch  
Micro switch

Hoist switch  
Foot switch  
Mono lever switch

Sign tower  
Signal light

### ●● Suffix code

| Model                | Code  | Description  |
|----------------------|---|--|
| CTB-KBB              | <input type="checkbox"/> <input type="checkbox"/> | 82 mm square pillar type Cube tower (Turn light) (buzzer built in)         |
| CTC-KBM              | <input type="checkbox"/> <input type="checkbox"/> | 116 mm square pillar type Cube tower (Turn light) (4 melody type built in) |
| Power supply voltage | 02  | 24 V d.c/a.c   |
|                      | 10  | 110 V a.c  |
|                      | 20  | 220 V a.c  |
| Stacking modules     | 1   | 1 stack (Red)  |
|                      | 2   | 2 stack (Red, green)   |
|                      | 3   | 3 stack (Red, yellow, green)   |

### ●● Specification

| Model                | CTB-KBB□□                            | CTC-KBM□□                                |
|----------------------|--------------------------------------|--|
| Diameter size        | 82 Square Pillar                     | 116 Square Pillar                        |
| Function             | Rotating continuous light and buzzer | Rotating continuous light and 4 melodies |
| Stacking             | 1 ~ 3 stack                          |  |
| Rotating speed       | 160 times/1 min                      |  |
| Alarm                | Buzzer                               | 4 melodies                               |
| Light source         | Incandescent lamp (BA 15S)           |  |
| Lens material        | Acrylic resin                        |  |
| Lens color           | red, yellow, green                   |  |
| Degree of protection | IP 23                                |  |
| Ambient temperature  | -10 ~ 55 °C                          |  |

Buzzer  
Terminal block  
Fuse holder


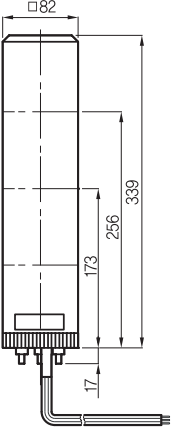
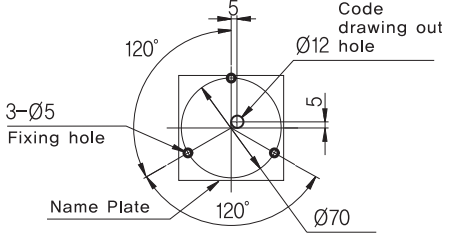

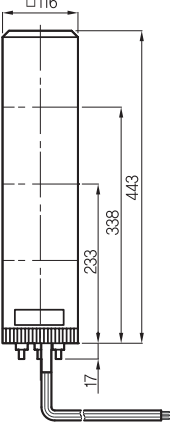
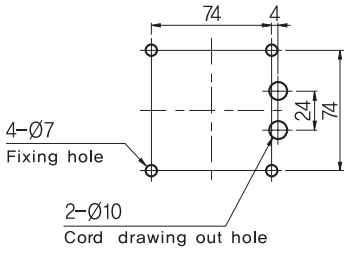
Control box  
Cable connector

Discontinued Products

Power specification

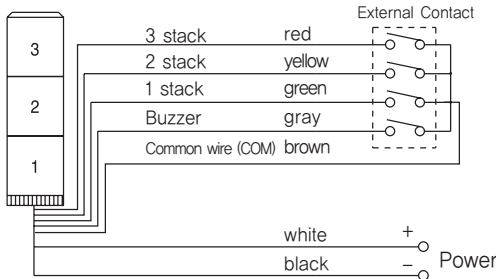
| Stacking number | Power supply voltage | Lamp capacity | Lamp base | Weight (g) |           |
|-----------------|----------------------|---------------|-----------|------------|-----------|
|                 |                      |               |           | CTB-KBB□□  | CTC-KBM□□ |
| 1 stack         | 24 V d.c             | 24 V 10 W     | BA 15S    | 500        | 1,300     |
|                 | 110 V a.c            | 12 V 5 W      |           | 700        | 1,600     |
|                 | 220 V a.c            | 12 V 5 W      |           |            |           |
| 2 stack         | 24 V d.c             | 24 V 10 W     | BA 15S    | 800        | 2,000     |
|                 | 110 V a.c            | 12 V 5 W      |           | 1,200      | 2,500     |
|                 | 220 V a.c            | 12 V 5 W      |           |            |           |
| 3 stack         | 24 V d.c             | 24 V 10 W     | BA 15S    | 1,200      | 2,500     |
|                 | 110 V a.c            | 12 V 5 W      |           | 1,600      | 3,000     |
|                 | 220 V a.c            | 12 V 5 W      |           |            |           |

Dimension (unit : mm)

| Appearance   | Dimension   | panel cutout   |
|--|---|--|
|  <p>CTB-KBB□3</p>  |   |  |
|  <p>CTC-KBM□3</p> |  |  |

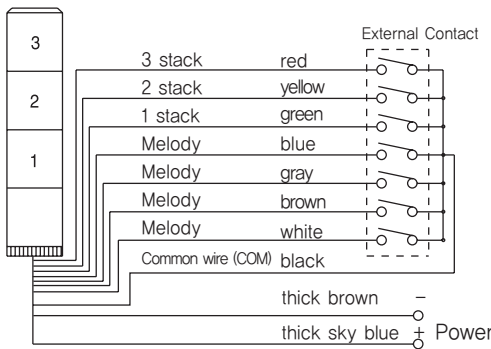
●● Connection diagram

■ CTB-KBB (82 square pillar type)



- Power supply voltage wires are white and black. The rest is external signal wire
- Please do not supply power into the external signal wire.
- Thick white wire is "+" in case of d.c power voltage
- After completing the wiring, please insulate the wires that users do not use.

■ CTC-KBM (116 square pillar type)

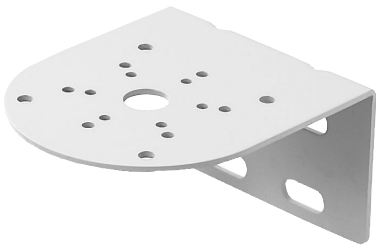
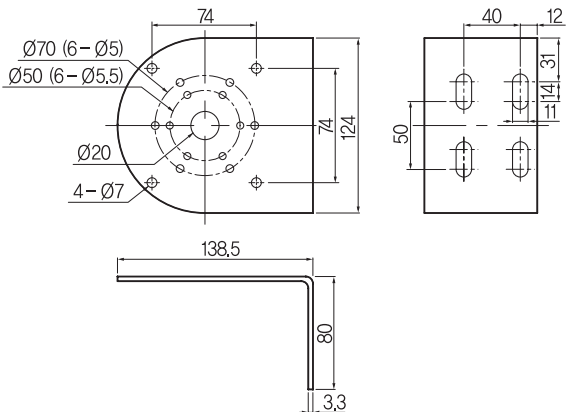


- Power supply voltage wires are thick brown and sky blue. The rest is external signal wire
- Please do not supply power into the external signal wire
- Thick sky blue wire is "+" in case of d.c power voltage
- After completing the wiring, please insulate the wires that users do not use
- Melody types
  - ① Brown : dingdong-dingdong
  - ② Gray : tidi-tidi
  - ③ Blue : for Alice
  - ④ White : repeats above three melodies

※ Wire length : 400 mm

●● Supporter (optional) (unit : mm)

Multi installation supporter that can be applied to the Ø25 indicator, and side length 82 mm / 116 mm cube tower : rotating, flashing light and etc

| Appearance  | Dimension  |
|---|--|
|  <p style="text-align: center;">ST-013</p> |  |

Control switch  
Combination display light

Power switch  
Main switch  
Cam switch

Limit switch  
Micro switch

Hoist switch  
Foot switch  
Mono level switch

Sign tower  
Signal light

Buzzer  
Terminal block  
Fuse holder

Control box  
Cable connector

Discontinued Products