



- Cost Effective
- Over Voltage Protection
- Inrush Current Limit
- Over Current Protection
- Wide Input Voltage Range  
(Universal input or user selectable voltage)
- 3 Year Warranty

FDR15

## JSF 25-24

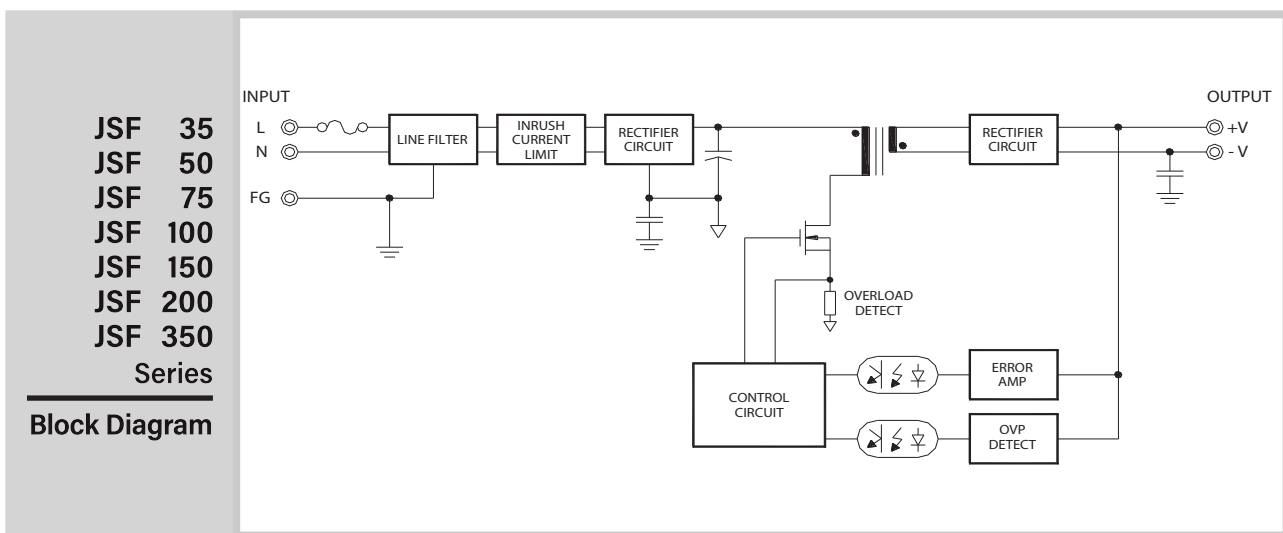
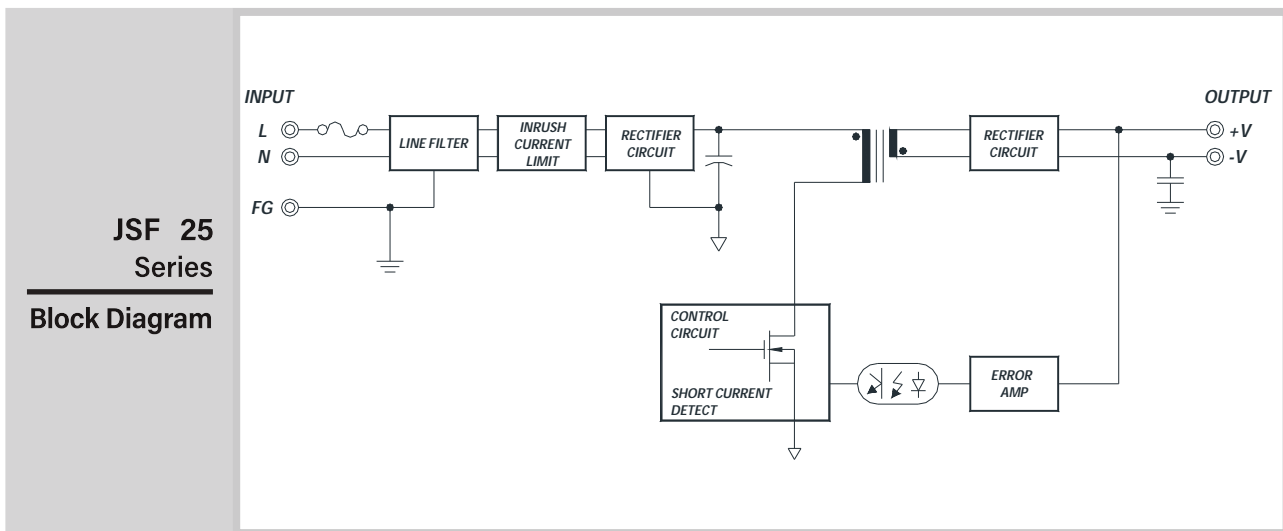
① ② ③

① Series name ② Total output wattage ③ Output voltage

MODEL		JSF25	JSF35	JSF50	JSF75	JSF100	JSF150	JSF200	JSF350	
INPUT VOLTAGE, FREQUENCY		AC100-240V(AC88~264 or DC125~370V), 50/60Hz, Universal Input					AC100-240V/200-240V(AC88~132V/176-264V), 50/60Hz or DC240~370V User-selectable			
OUTPUT VOLTAGE/ CURRENT	3.3V	6A	7A	10A	15A	20A	30A	-	-	
	5V	5A	7A	10A	12A	16A	26A	40A	60A	
	9V	2.8A	4A	5.6A	8A	11A	16.5A	-	-	
	12V	2.1A	3A	4.2A	6A	8.5A	12.5A	17A	29A	
	15V	1.7A	2.4A	3.4A	5A	7A	10A	-	-	
	24V	1.1A	1.5A	2.2A	3.2A	4.5A	6.5A	8.3A	14.6A	
	48V	0.57A	0.8A	1.1A	1.6A	2.3A	3.3A	4.2A	7.3A	
INPUT CURRENT [A] (I <sub>o</sub> =100%)	110V	0.7	0.8	1.3	1.6	2.2	3.5	4.5	7.0	
	220V	0.4	0.55	0.8	1.0	1.2	2.0	2.5	4.0	
EFFICIENCY [%]	110V	84 typ	84 typ	85 typ	86 typ	86 typ	86 typ	84 typ	87 typ	
	220V									
OPERATING TEMP AND HUMID		-10~+70°C (Required Derating), 20~90% RH (Non Condensing)								
SAFETY REGULATION		UL, C-UL, CE, CB						CE, KC		
SIZE(W×H×D)(mm)		51×28.5×79	82×36×99	97×36×99	98×38×129	97×38×159	98×38×199	98×50×199	115×50×215	
WEIGHT(g)		200	330	350	410	600	700	730	925	

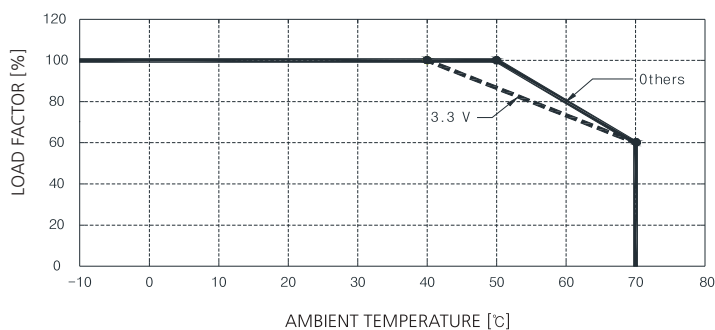
\* Efficiency is based on a 24V reference.

\* More detail specification, visit ORIENT Electronics website and find JSF series

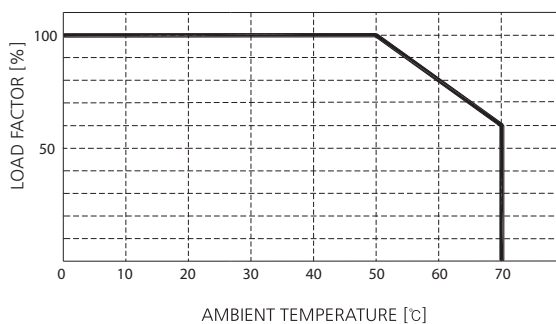


## Output Derating Curve

JSF25, 35, 50, 75, 100-Series



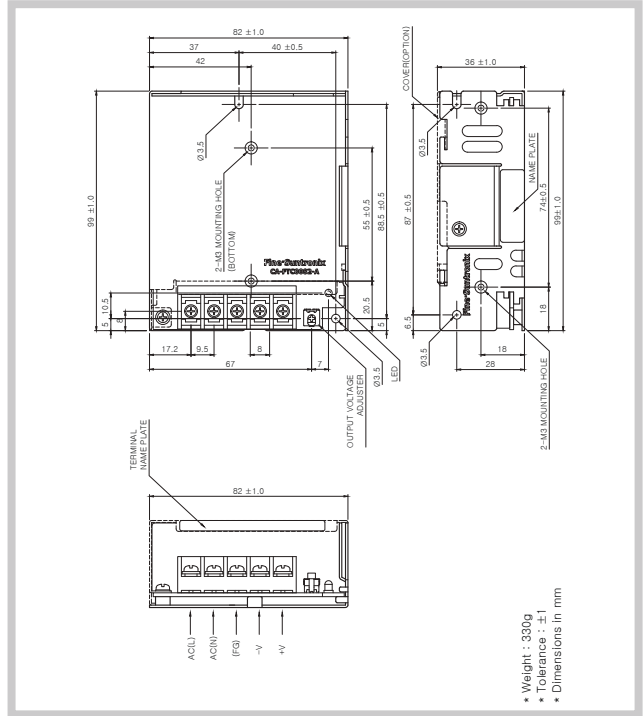
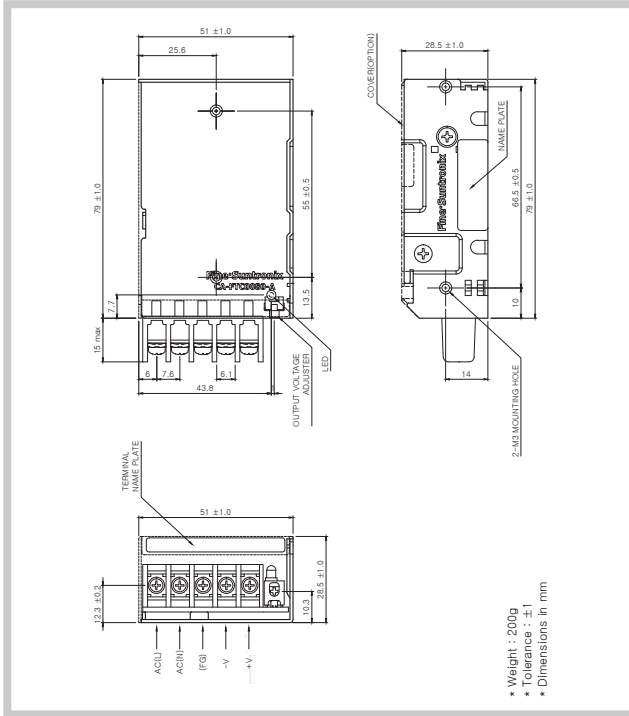
JSF150, 200, 350-Series



## Dimension

### JSF25-Series

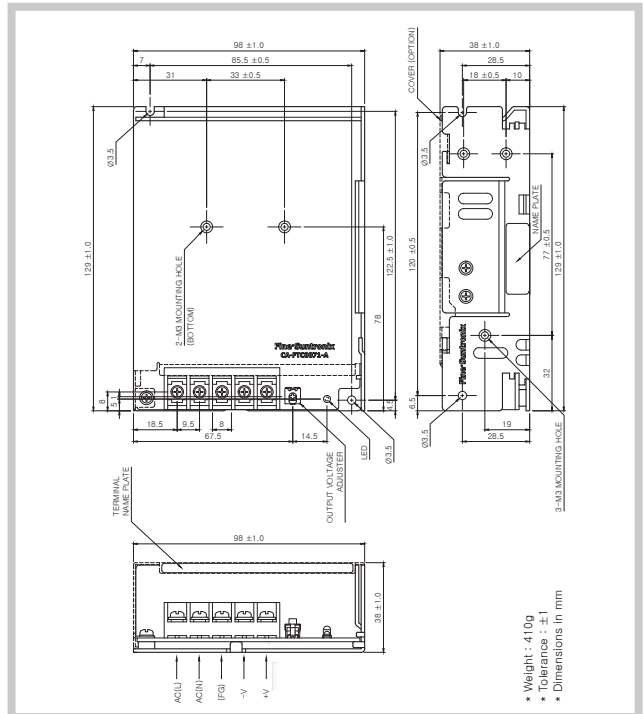
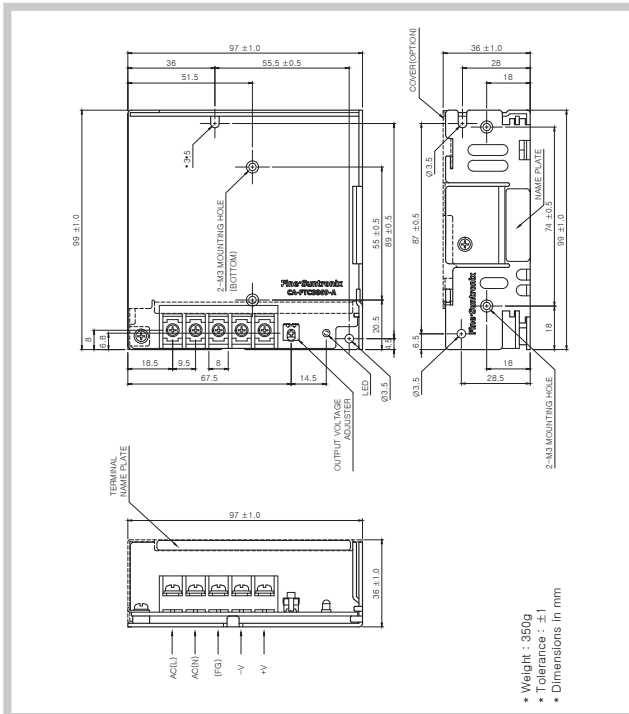
### JSF35-Series



## Dimension

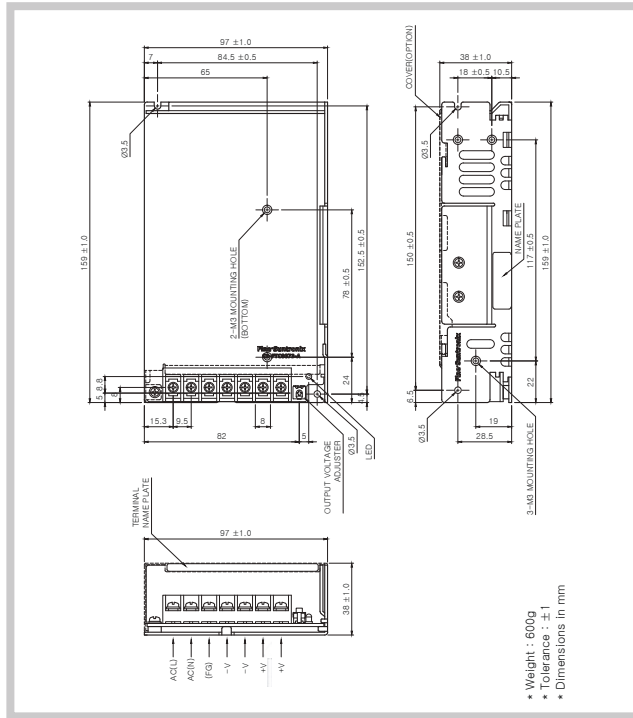
### JSF50-Series

### JSF75-Series

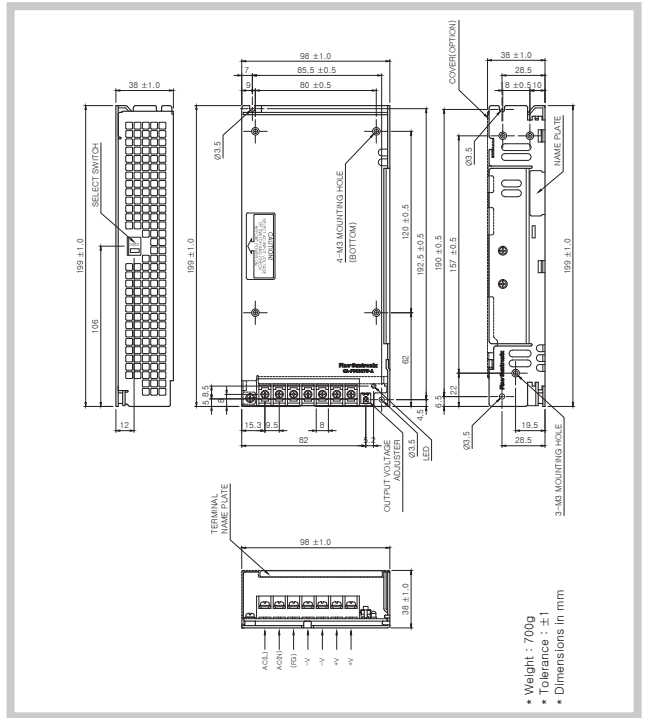


## Dimension

### JSF100-Series

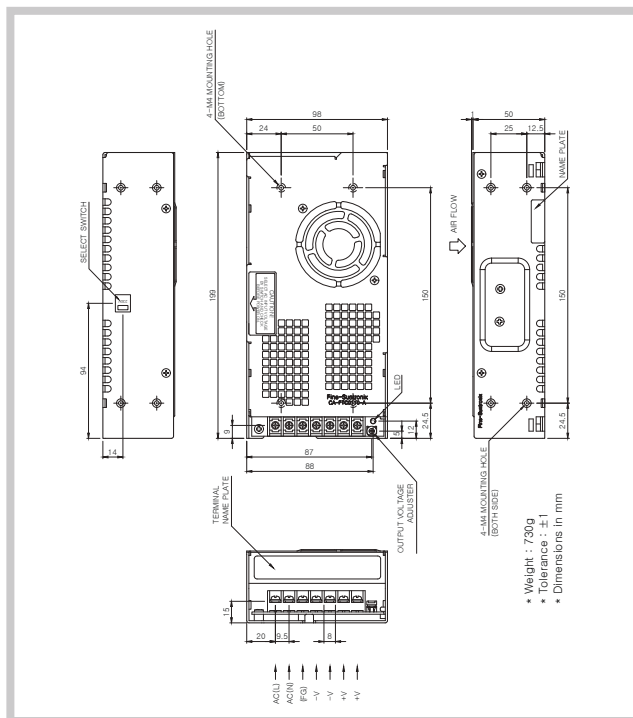


### JSF150-Series



## Dimension

### JSF200-Series



### JSF350-Series

