

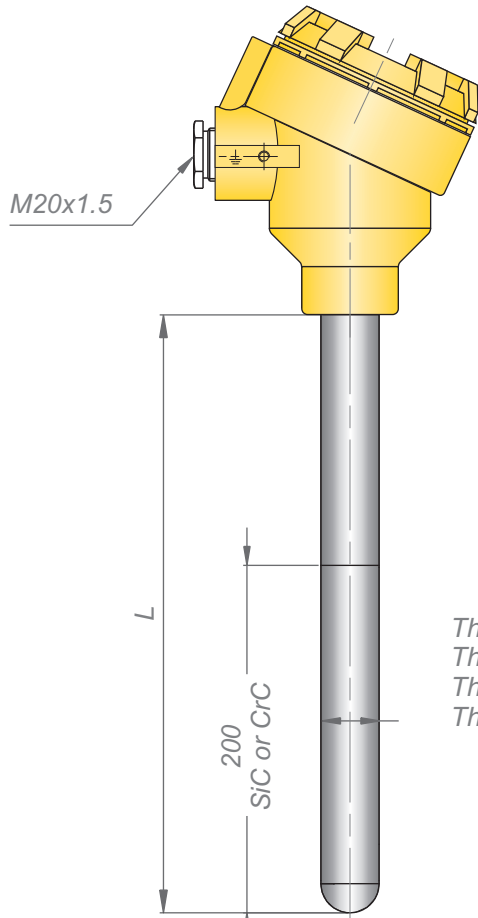
Temperature sensor type CT U1, CT U2, CT U3, CT U4

TECHNICAL DATA:

1. Measuring range (constant/momentary)
J: -40...750°C
K: -40...1000°C / -40...1100°C
2. Admissible load:
0.1 MPa
3. Material of wetted parts:
Heat-resisting steel 1.4841(*)
4. Standard immersion length
L=500, 700, 1000, 1400, 2000 mm (*)
5. Process connection:
UC1-22, UC2-22
6. Type of measuring junction :
isolated
7. Admissible vibrations at mounting site:
5 ... 80 [Hz] (up to 2[g])

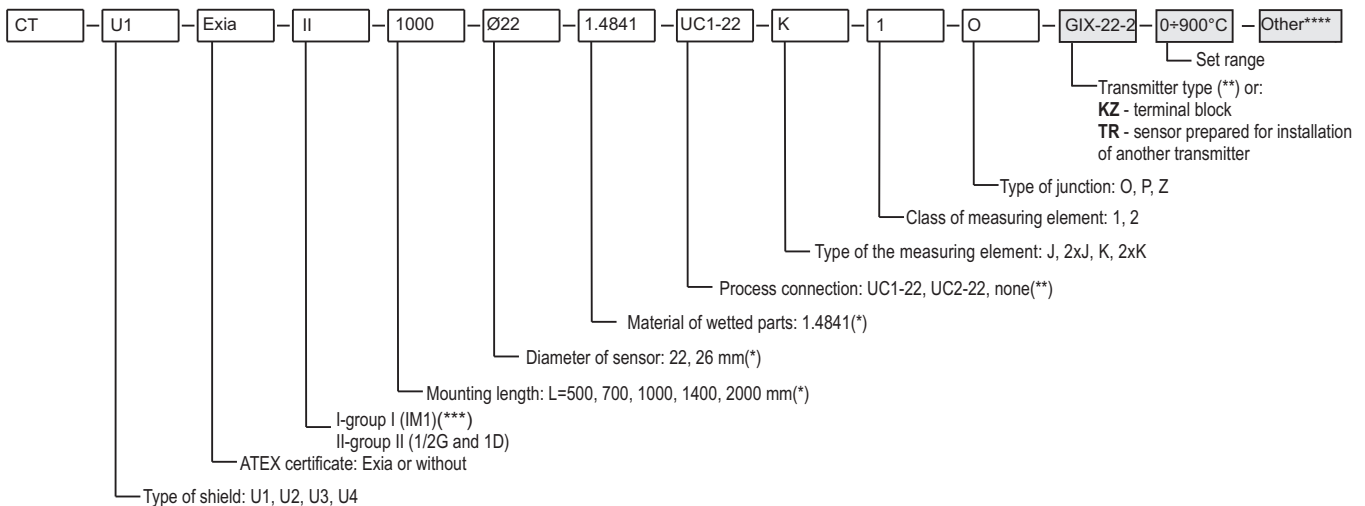
Ex I M1 Ex ia I Ma

Ex II 1/2 G Ex ia IIC T6..T1 Ga/Gb
II 1D Ex iaD 20 T75°C Da



*Thermowell Ø22x2 for CT U1
Thermowell Ø22x2+ SiC or CrC for CT U2
Thermowell Ø22x4 for CT U3
Thermowell Ø26x3 for CT U4*

Ordering procedure with example of ordering code:



ADDITIONAL INFORMATION

1. Type of exchangeable insert: W5.
- 2.(*) Non-standard version of temperature sensors on request.
- 3.(**) Type of temp. transmitters: LI-24G, GI-22-2, GIX-22-2 or other.
- 4.(***) Temperature sensor for group I is produced with stainless steel housing.
- 5.(****) Additional required parameters acc. to transmitter data sheet.