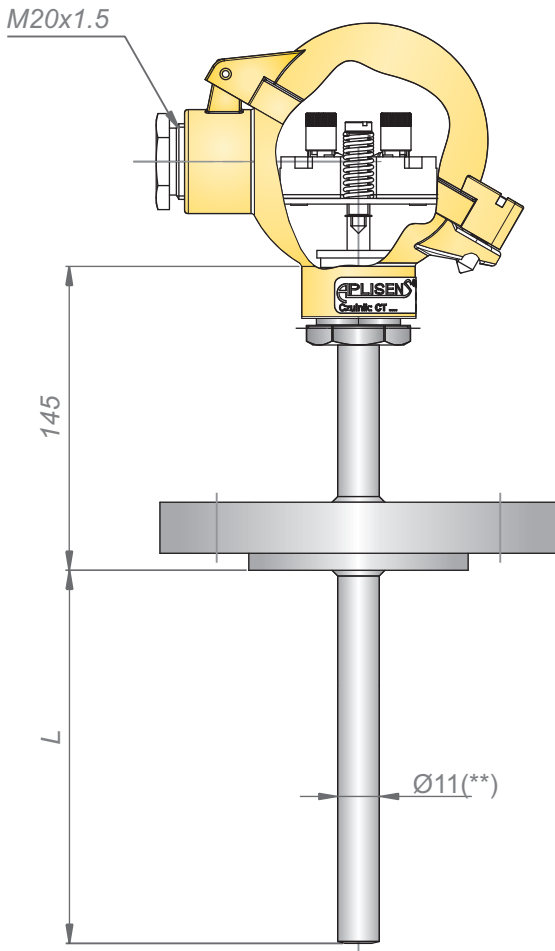


# Temperature sensor type CT T1

now available with  
**BV marine certificate**



**TECHNICAL DATA:**

1. Measuring range:  
Pt: -70...500°C / -196...150°C (\*)  
J/K: -40...550°C
2. Admissible load:  
see **Graph 1** (page X/ 17)
3. Material of wetted parts:  
304ss or 316Lss (\*\*)
4. Standard immersion length  
L=100, 160, 250, 400 mm (\*\*)
5. Flange process connection
6. Time constant:

Pt	T <sub>0.5</sub> [s]	T <sub>0.9</sub> [s]
	≤ 40	≤ 120

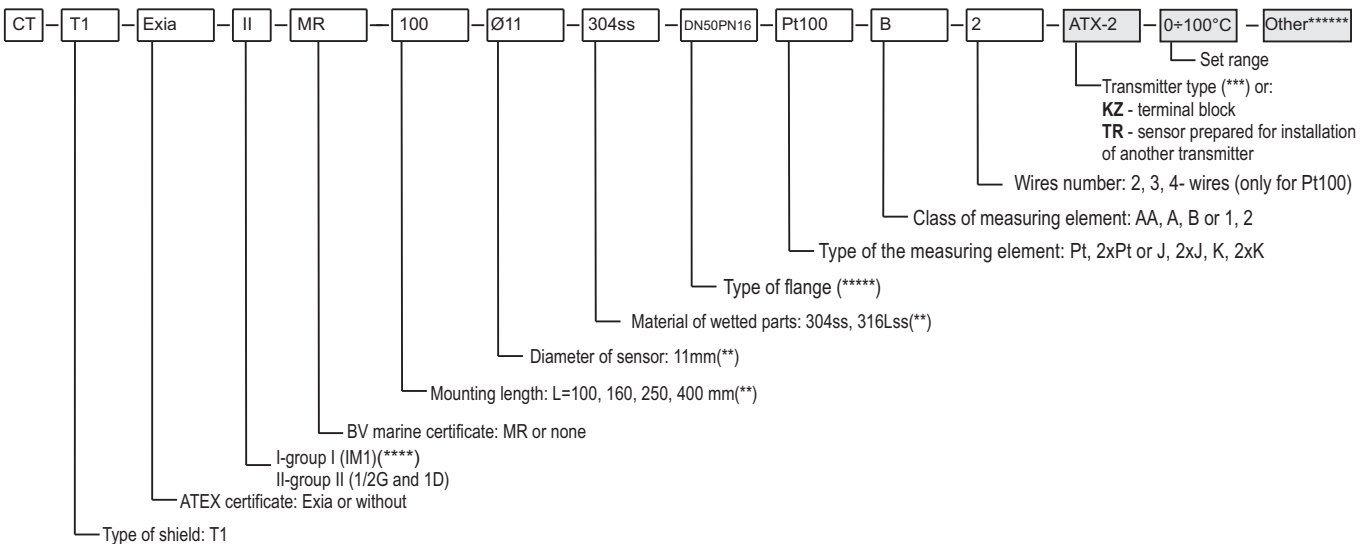
J/K	Isolated junction		Grounded junction	
	T <sub>0.5</sub> [s]	T <sub>0.9</sub> [s]	T <sub>0.5</sub> [s]	T <sub>0.9</sub> [s]
	≤ 27	≤ 90	≤ 6	≤ 15

7. Diameter of the measuring insert:  
Ø 6 mm
8. Minimal immersion depth:  
Pt: 100 mm

Ex I M1 Ex ia I Ma

Ex II 1/2 G Ex ia IIC T6..T1 Ga/Gb  
II 1D Ex iaD 20 T75°C Da

**Ordering procedure** with example of ordering code:



**ADDITIONAL INFORMATION:**

- 1.(\*) Low temperature version: -196...150°C
- 2.(\*\*) Non-standard version of temperature sensors on request.
- 3.(\*\*\*) Type of temp. transmitters: LI-24G, AT-2, GI-22-2, ATX-2, GIX-22-2 or other.
- 4.(\*\*\*\*) Temperature sensor for group I is produced with stainless steel housing.
- 5.(\*\*\*\*\*) The flange standard are available acc. to norm PN, ANSI or DIN.
- 6.(\*\*\*\*\*) Additional required parameters acc. to transmitter data sheet.