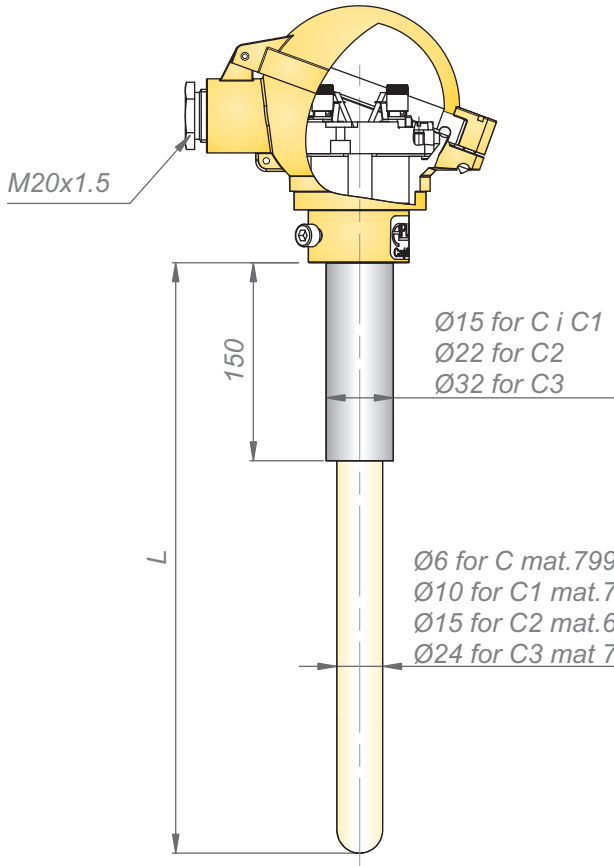


Temperature sensor type CT C, CT C1, CT C2, CT C3



TECHNICAL DATA:

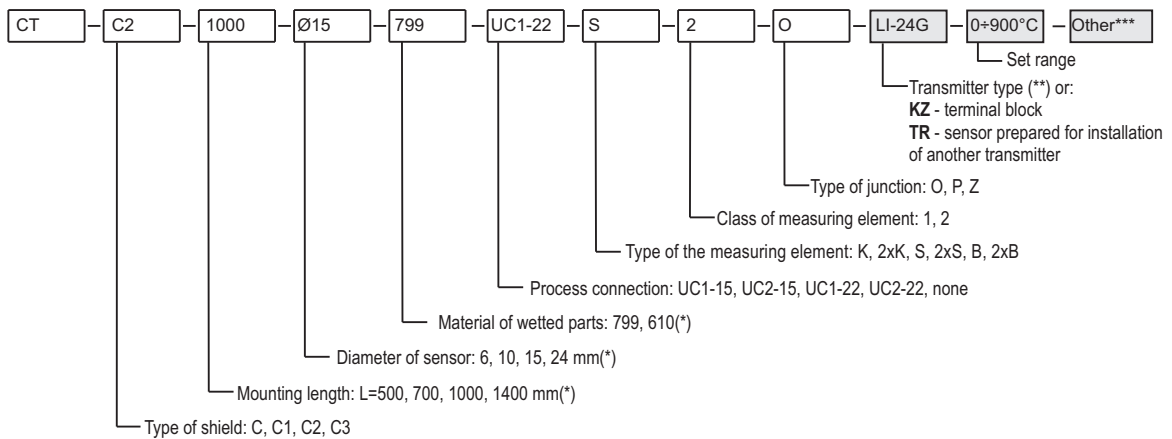
- Measuring range (constant/momentary)
K: -40...1000°C / 0...1100°C
S: 0...1300°C / 0...1600°C
B: 600...1600°C / 660...1700°C
- Material of wetted parts:
mullite ceramic material 610
high aluminium ceramic material 799
- Standard immersion length
L=500, 700, 1000, 1400 mm (*)
- Process connection:
UC1-15, UC2-15, UC1-22, UC2-22
- Admissible vibrations at mounting site:
5 ... 80 [Hz] up to 2 [g]
- Diameters of thermoelectric wires:

Type	Ø [mm]
K	1 for C and C1 1.6 for C2 and C3
S	0.35 or 0.5
B	0.35 or 0.5

Ex I M1 Ex ia I Ma

Ex II 1/2 G Ex ia IIC T6..T1 Ga/Gb
II 1D Ex iaD 20 T75°C Da

Ordering procedure with example of ordering code:



ADDITIONAL INFORMATION

- Type of exchangeable insert: W4.
- (*) Non-standard version of temperature sensors on request.
- (**) Type of temp. transmitters: LI-24G, GI-22-2 or other.
- (***) Additional required parameters acc. to transmitter data sheet.