

2-wire Temperature & Humidity Transmitter for Indoor / Duct

Features

- 2-wire loop design.
- Compact design, good look and easy to install.
- An economical choice, high C/P ratio.
- Foreign-made sensor component with high accuracy and long-term stability.

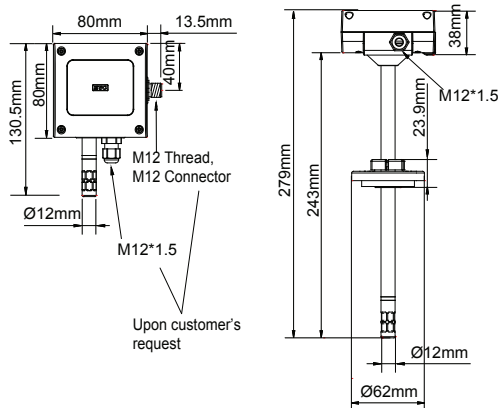
Applications

- Monitoring for HVAC process / air conditioning / environmental ventilation control.
- Environmental monitoring for building / factory / clean room / Lab.
- Monitoring for storeroom / crisper / agriculture / food industry.
- Temperature and humidity measuring in hospital / pharmaceutical industry / textile industry.



ecoTHS 23	-	A	1	1	30	-	E
Installation	Function	Output	Power Supply	Temperature Range	Option		
23 : indoor 24 : duct-mounting	A : temperature & humidity output	1 : 4~20mA	1 : 24 VDC±15%	30 : 0~50°C	E : none		

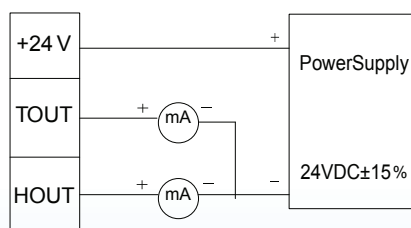
DIMENSION



ecoTHS23

ecoTHS24

CONNECTION DIAGRAM



TS-504-3P Connector

TECHNICAL SHEET

INPUT

Input..... capacitive humidity sensor & PT 100 Ω
 Measuring range.....temperature: 0~50°C ; humidity : 0~100%
 Working rangetemperature: 0~50°C ; humidity : 0~95%

OUTPUT

Output.....4~20mA ; 2-wire

ACCURACY (at 25°C)

Temperature ±0.5°C
 Humidity..... ±3%RH (10~90%)
 Load resistance ≤ 500Ω
 Output calibration (ZERO & SPAN) adjustment range
 10% of zero-point and full-range
 Response time t90 (at 25°C) < 20S

ENVIRONMENT

Media measured.....air
 Media temperature0~50°C
 Storage temperature.....-25~60°C

ELECTRICAL REGULATION

Power supply 24VDC ±15%
 Electrical connection..... TS-504-4P connector
 Installation wall-mounting / duct-mounting
 Protection degree IP 54 (Sensor: IP 20)
 Electrical protectionpolarity protection
 Certification..... CE
 Housing PC fire-proof class (PC-110)
 Probe..... PC fire-proof class (PC-110)
 Weight ecoTHS23: 117g / ecoTHS24: 162g

