

AT2-5

77 x 35 x 77 mm

Refrigeration Controller for HT/LT

Main Features

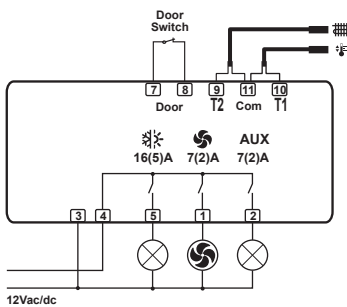
- Selectable Refrigerating or Heating control
- Runs on mains power supply
- Direct compressor control through high power 16(5)A
- Auxiliary output configurable in six different operating modes
- Selectable NTC10K or PTC input
- Electrical, off cycle or hot gas defrost
- Temperature, door open alarms
- Optional light control button
- Connectivity to LAE supervisory systems
- UL approved

Applications

High or Low Temperature upright cabinets and counters, cold stores, plug-in display cases, control panels, heated cabinets.

Series AT2-5		BS4E-G	BS4E-AL	BS4E-BG
Inputs	Thermostat	•	•	•
	Evaporator	•	•	•
	Door switch	•	•	•
Outputs	Thermostat	•	•	•
	Evaporator fans	•	•	•
	Auxiliary	•	•	•
Power supply	230Vac	•	•	•
Serial port	Serial port TTL		•	
	Serial port RS-485			•
Keypad	Generic	•		•
	With light button		•	

- > Models with removable screw terminal blocks are available. In this case, the letter "S" of code changes in "Q", ex. AT2-5BQ4E-AL.
- > All models come with an alarm buzzer.
- > Versions with 110V power supply are available.
- > On request, the AT2-5 is also available with gasket for a better protection between bezel and metal panel.
- > In order to know more options available for the models, please consult LAE or our local dealer.



AT2-5BS4E-G

Technical Data	
Control Range	-50÷120°C
Resolution	0.1 / 1 °C; °F
Accuracy	NTC10K: $\pm 0.3^{\circ}\text{C}$ (-40.0÷70.0°C) PTC1000: $\pm 0.5^{\circ}\text{C}$ (-50÷120°C)
Sensor type	Selectable NTC10K standard mod. SN4B20P1/P2 or PTC1000
Power supply	230V~ ±10% 50÷60Hz 3W
Front protection	IP55
Panel cut-out	71 x 29 mm (WxH)
Ambient temperature	-10÷50°C

