

AC1-2W

110 x 53 x 75 mm

Two Channel Universal Controller, ON/OFF or PID

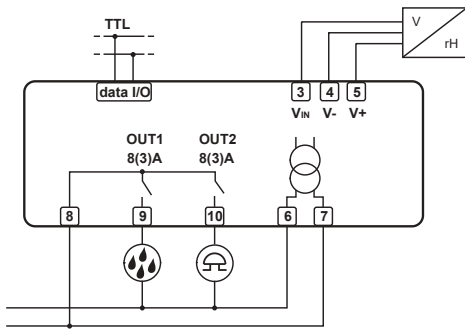
Main Features

- Wall-mount controller
- Runs on mains power supply
- PID with autotuning or ON/OFF control
- Input for 0÷1V, PTC/NTC10K
- 0.1 / 1°C or 1°F resolution
- Selectable Refrigerating/Heating (Dehumidifying/Humidifying) control
- Absolute or relative temperature alarms
- ON/OFF button on front
- Connectivity to LAE TAB supervisory systems

Applications

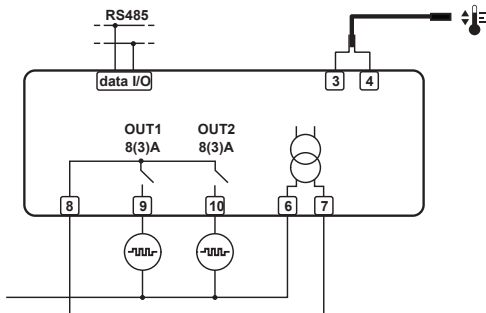
Temperature : control of small cold stores, heating systems, bains-marie, ovens, laboratory equipment.

Humidity : control of greenhouses, seasoning cells, cold rooms, air-conditioned rooms.



230V~

AC1-2W AQ2RE-A



230V~

AC1-2W TQ2RE-B

AC1-2W series

| Functions | | AC1-2WT... | AC1-2WA... |
|---------------------|------------------------|------------------------|-----------------------|
| Input type | PTC | NTC10K* | 0÷1V |
| Range | -50÷150°C -60÷300°F | -40÷125°C -40÷260°F | Configurable in setup |
| Accuracy | ±0.3°C | ±0.3°C | ±3mV |
| Resolution | 0.1 / 1°C / 1°F | | 0.1 / 1 |
| Ambient temperature | -10÷50°C | | |

^(a)-50÷150°C; ^(b) remaining range.

* The standard NTC10K is the SN4B20P1

| AC1-2W | T | Q | 2 | R | E | -B |
|--------|--------------|--------------------------------|-----|-----|-----|-----|
| | (1) | (2) | (3) | (4) | (5) | (6) |
| Pos. | Function | Description | | | | |
| (1) | Input | A = 0÷1V; T = PTC / NTC10K | | | | |
| (2) | Connections | Q = Detachable screw terminals | | | | |
| (3) | Output No. | 1 = one; 2 = two | | | | |
| (4) | Output type | R = relay | | | | |
| (5) | Supply | E = 230Vac 50/60Hz 50/60Hz 3 W | | | | |
| (6) | Serial comm. | Nil = no; -A = TTL; -B = RS485 | | | | |

How to order:

› AC1-2WTQ2RE-B (PTC/NTC10K input, detachable screw terminals, 2 relays, 230Vac supply voltage, RS485 port)

› AC1-2WAQ2RE-A (0÷1V input, detachable screw terminals, 2 relays, 230Vac/dc supply voltage, TTL port)

